



INTAKE SYSTEMS FOR VEHICLES LISTED ARE 50 STATE LEGAL. SEE KNFILTERS.COM FOR CARB STATUS ON EACH PART FOR A SPECIFIC VEHICLE.

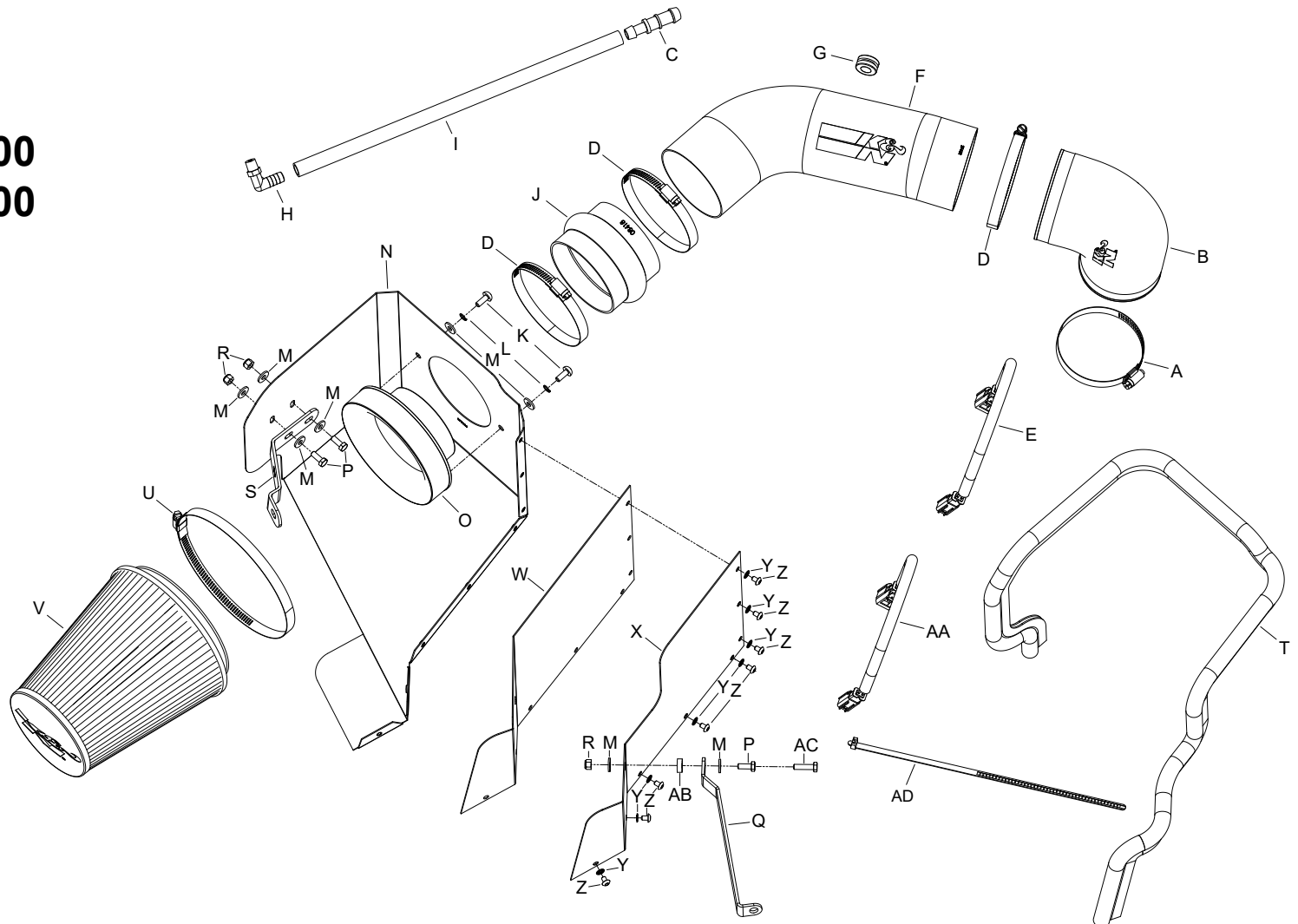
INSTALLATION INSTRUCTIONS

77-1561KP
DODGE
2009-15 Ram 1500
2013-15 Ram 2500
V8-5.7L

NOTE: This kit was not designed to fit vehicles with a body lift.

TOOLS NEEDED:

- Ratchet
- Extension
- 13mm Socket
- 10mm Socket
- 5/16" Socket
- 10mm Wrench
- 3/4" Wrench
- 4mm Allen Wrench
- Flat Blade Screwdriver



PARTS LIST:

Description	Qty.	Part #	Description	Qty.	Part #	Description	Qty.	Part #
A HOSE CLAMP #56	1	08620	K BOLT; M6 X 1.00 X 16MM	2	07730	U HOSE CLAMP # 104	1	08697
B HOSE; 4" TO 3-1/2" ID 90	1	084086	L WASHER; 1/4" LOCK, ZN	2	08198	V AIR FILTER	1	RU-1044
C HOSE ADAPTER, 3/4" X 5/8"	1	8-171	M WASHER; 1/4"ID X 5/8"OD	8	08275	W HEAT SHIELD A	1	073127A
D HOSE CLAMP #64 STAINLESS	3	08645	N HEAT SHIELD	1	073126A	X HEAT SHIELD B	1	073128A
E EXTENSION HARNESS	1	21681	O ADAPTOR; #454	1	27300	Y M5 WASHER	8	07724
F INTAKE TUBE	1	27462AKP	P BOLT; 6MM-1.00 X 16MM	3	07812	Z M5 BOLT	8	07740
G GROMMET; 1"OD, 1/2"ID	1	08064	Q BRACKET; "Z", STL, TK/PC	1	083103-1A	AA EXTENSION HARNESS	1	21680
H FITTING; VENT, 1/4"NPT, 90	1	08525	R NUT; 6MM NYLOCK, HEX SS	3	07512	AB SPACER	1	06555
I HOSE; 5/8"ID X 21"L	1	5-7021	S BRACKET; "L", STL, TK/PC	1	083127A	AC BOLT; M6 X 1.00 X 20MM	1	07795
J HOSE; 4" ID X 3" L HUMP	1	08418	T EDGE TRIM (55")	1	102480A	AD CABLE TIES; 11" BLACK	1	21590

If you need any assistance please call 1-800-858-3333 to speak with a representative in our Customer Service Center before returning the product.

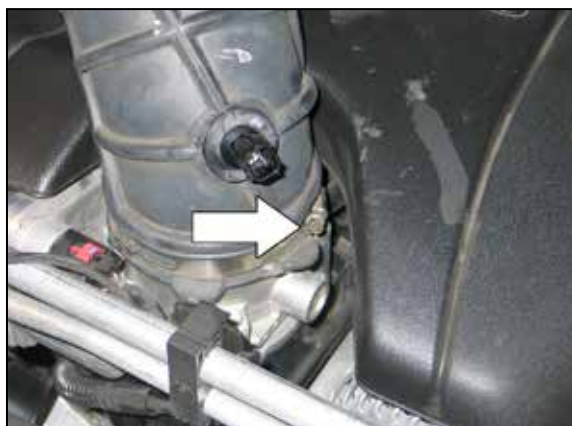
NOTE: FAILURE TO FOLLOW INSTALLATION INSTRUCTIONS AND NOT USING THE PROVIDED HARDWARE MAY DAMAGE THE INTAKE TUBE, THROTTLE BODY AND ENGINE.

TO START:

1. Turn off the ignition and disconnect the negative battery cable.
NOTE: Disconnecting the negative battery cable erases pre-programmed electronic memories. Write down all memory settings before disconnecting the negative battery cable. Some radios will require an anti-theft code to be entered after the battery is reconnected. The anti-theft code is typically supplied with your owner's manual. In the event your vehicles' anti-theft code cannot be recovered, contact an authorized dealership to obtain your vehicles anti-theft code.



2. Release the red locking tab and then disconnect the inlet air temperature electrical connection.



3. Loosen the hose clamp that secures the intake tube to the throttle body.



4. Disconnect the crank case vent hose from the air box.



5. Disconnect the factory intake hose from the throttle body, then lift up the air box assembly and remove it from the vehicle.
NOTE: K&N Engineering, Inc., recommends that customers do not discard factory air intake.



6. Lift up the engine cover to dislodge it from the mounting posts and then remove it from the vehicle.



7. Disconnect the crank case vent hose from the valve cover port.



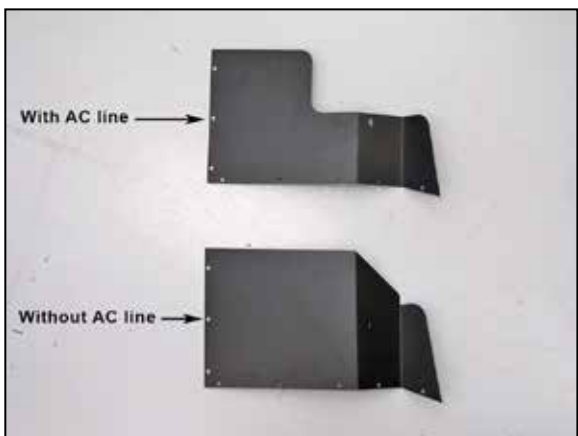
8. Remove the factory 45 deg. elbow from the factory CCV hose assembly. Assemble the K&N® CCV hose, Union and factory 45 deg. elbow as shown.



9. Install the K&N® CCV hose assembly onto the factory port and position the assembly as shown.



10. Reinstall the engine cover and position the CCV hose through the opening.



11. Some vehicles may have an AC line obstructing installation. Choose the appropriate heat shield wall for the AC line configuration and attach to the heat shield as shown using the provided hardware.



12. Install the provided edge trim onto the heat shield as shown.
NOTE: Some trimming of the edge trim will be necessary.



13. Install the provided filter adapter onto the heat shield as shown and secure with the provided hardware.



14. Install the silicone hump hose (08418) onto the filter adapter and secure with the provided hose clamp.



15. Install the heat shield mounting bracket (083127A) onto the heat shield using the provided hardware.
NOTE: Do not completely tighten at this time.



16. Install the heat shield mounting bracket (083103-1A) onto the heat shield using the provided hardware.
NOTE: Do not completely tighten at this time.
NOTE: When using the cut out heat shield wall, place the provided spacer between the bracket and heat shield and use the longer bolt.



17. Remove the front air box mounting bracket bolt shown.
NOTE: This bolt will be used in a later step.



18. Remove the front fender mounting bolt shown.
NOTE: This bolt will be used in a later step.



19. Install the heat shield assembly into the vehicle and secure with the bolts removed in steps #17 and 18. Do not completely tighten at this time.



20. Install the provided silicone hose (084086) onto the throttle body and secure with the provided hose clamp.



21. Install the provided grommet into the K&N® intake tube as shown.



22. Install the 1/4 npt vent fitting into the K&N® intake tube as shown.

NOTE: Plastic NPT fittings are easy to cross thread. Install the vent fitting "hand" tight, then turn it two complete turns with a wrench.



23. Remove the inlet air temperature sensor from the stock intake tube.

NOTE: Use care removing the sensor as it is very fragile.



24. Install the inlet air temperature sensor into the grommet installed into the K&N® intake tube as shown.

NOTE: Use care while installing the inlet air temperature sensor as it is very fragile.



25. Install the K&N® intake tube into the silicone hump hose and then into the silicone hose attached to the throttle body. Align the heat shield assembly for proper fitment. Tighten the heat shield mounting bolts and hose clamps securing the intake tube.



26. Connect the CCV hose to the 90deg. fitting installed into the K&N® intake tube.



27. Connect the provided inlet temperature sensor extension into the factory wiring harness and then connect the other end to the inlet temperature sensor.

NOTE: The vehicle manufacturer uses two different inlet air temperature sensor connections, choose the correct extension harness for the sensor provided by the manufacturer. Secure the harness with the provided tie wrap.



28. Install the K&N® air filter and secure with the provided hose clamp.



29. Reconnect the vehicle's negative battery cable. Double check to make sure everything is tight and properly positioned before starting the vehicle.

30. The C.A.R.B. exemption sticker, (attached), must be visible under the hood, so the emissions inspector can see it when the vehicle is required to be tested for emissions. California requires testing every two years, other states may vary.

31. It will be necessary for all K&N® high flow intake systems to be checked periodically for realignment, clearance and tightening of all connections. Failure to follow the above instructions or proper maintenance may void warranty.

ROAD TESTING:

1. Start the engine with the transmission in neutral or park, and the parking brake engaged. Listen for air leaks or odd noises. For air leaks secure hoses and connections. For odd noises, find cause and repair before proceeding. This kit will function identically to the factory system except for being louder and much more responsive.

2. Test drive the vehicle. Listen for odd noises or rattles and fix as necessary.

3. If road test is fine, you can now enjoy the added power and performance from your kit.

4. K&N Engineering, Inc., requires cleaning the intake system's air filter element every 100,000 miles. When used in dusty or off-road environments, our filters will require cleaning more often. We recommend that you visually inspect your filter once every 25,000 miles to determine if the screen is still visible. When the screen is no longer visible some place on the filter element, it is time to clean it. To clean and re-oil, purchase our filter Recharger® service kit, part number 99-5050 or 99-5000 and follow the easy instructions.

INTAKE SYSTEMS FOR VEHICLES LISTED ARE 50 STATE LEGAL. SEE KNFILTERS.COM FOR CARB STATUS ON EACH PART FOR A SPECIFIC VEHICLE.