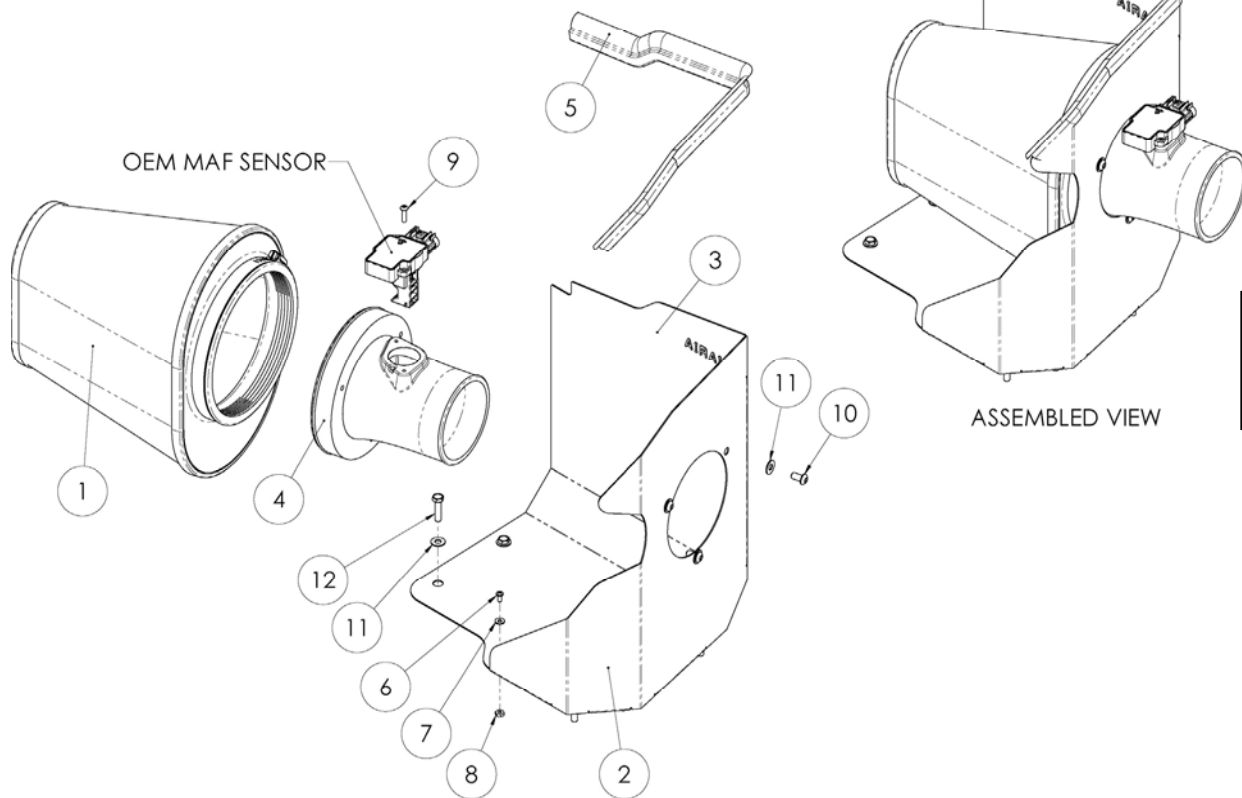




Installation Instructions For Part Numbers:

200-244	720-472 Airaid Oiled Media Filter
201-244	721-472 SynthaMax Dry Media Filter - Red
202-244	722-472 SynthaMax Dry Media Filter - Black
203-244	723-472 SynthaMax Dry Media Filter - Blue

**2009-13 Chevrolet Silverado 1500/Tahoe/
Avalanche/
GMC Sierra 1500/Yukon/Yukon XL 1500/
Denali/Denali XL/
2009-14 Suburban 1500
2009-14 Cadillac Escalade/ESV/EXT
4.8L V8, 5.3L V8, 6.0L V8*, 6.2L V8
With Electric Cooling Fans Only *Does Not
Fit 6.0L Engines after 2010**



Full color instructions can be viewed on our web site at Airaid.com.

If you need any assistance please call 1-800-858-3333 to speak with a representative in our Customer Service Center before returning the product.

INTAKE SYSTEMS FOR VEHICLES LISTED ARE 50 STATE LEGAL. SEE AIRAID.COM FOR CARB STATUS ON EACH PART FOR A SPECIFIC VEHICLE.

Component Identification

1.	Airaid Premium Filter	1
2.	MAF Panel	1
3.	Rear Air Dam Panel	1
4.	Air Filter Adapter	1
5.	Weather Strip 20 3/4"	1
6.	6-32 x 5/16" Screw	5
7.	#6 Flat Washer	5
8.	6-32 Keps Nut	5
9.	8-32 x 5/8" Button Head Bolt	2
10.	1/4 - 20 x 1/2" Button Head Bolt	3
11.	1/4" Flat Washer	7
12.	M6 - 1 x 25 Hex Bolt	4
13.	Airaid Decal	1



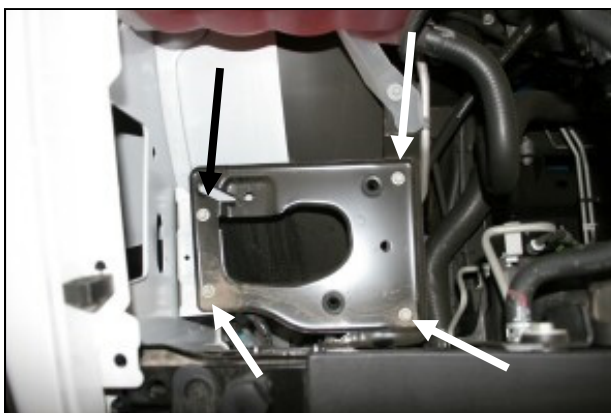
1. Disconnect the negative battery cable.
Using a T15 Torx bit, remove the two screws that hold the Mass Air Flow (MAF) sensor to the airbox lid. Next, loosen the hose clamp that secures the intake tube to the lid.



2. A.) Without disconnecting the wiring harness, remove the MAF sensor from the airbox lid and swing it back out of the work area. B.) Now disconnect the factory air intake tube from the airbox lid, and move it out of the work area. **V-8 Models:** Remove the factory intake tube for ease of install.



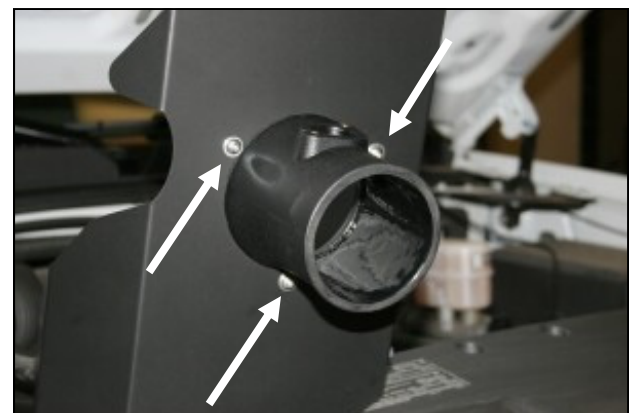
3. Rock the factory airbox back and forth while lifting up on it, and remove it from the vehicle. It is only held in place by grommets.



4. Using a 10mm socket, remove the four bolts that secure the factory airbox mounting plate. Now remove the mounting plate from the vehicle.



5. Assemble the two Cold Air Dam (CAD) panels (#2 & #3) using five 6-32 Phillips screws (#6) five flat washers (#7), and five keps nuts (#8) as shown. Make sure that panel #2 is located inside of panel #3. Apply the Airaid Foil Decal onto the Panel as shown.



6. Install the filter adapter into panel #3 as shown, using three 1/4-20 x 1/2" button head bolts (#10), and three flat washers (#11).



7. Install the assembled CAD into the vehicle where the mounting plate was removed in step #4. Secure the CAD to the vehicle using four 6mm bolts (#12) and four flat washers (#11). Do not over tighten the bolts.



8. Reinstall the MAF sensor onto the filter adapter using two 8-32 x 5/8" button head screws (#9). **Do Not Use The Factory Screws!** Reconnect the factory air intake tube to the filter adapter and tighten the hose clamp.



9. Install the Airaid Premium Filter (#1) onto the filter adapter and tighten the hose clamp. Next install the weather strip (#5) onto the top of the CAD as shown. Start at the right fender and work your way around towards the radiator.

10. Double check your work!

Make sure there is no foreign material in the intake path. Make sure all clamps, hoses, bolts, and screws are tight.

11. Reconnect the negative battery cable!



WARNING! If your vehicle has a Vehicle Emission Control Information decal affixed to the factory air-box, a new replacement label must be obtained and installed in a readily visible position in the engine compartment in order to remain CARB compliant. Failure to do so will prevent the vehicle from passing a smog check. Replacement labels can be ordered from your local dealership. Regulations state that the VECI label shall not be affixed to any equipment which is easily detached from the vehicle. Label placement, under the hood on a painted surface is recommended.

Thank you for purchasing the Airaid Intake System. Contact Airaid @ (800) 498-6951 8:00 AM - 5:00 PM MST weekdays for questions regarding fit or instructions that are not clear to you. Your Airaid Intake System was carefully inspected and packaged. Check that no parts are missing, or were damaged during shipping. If any parts are missing, contact Airaid. The air filter element is protected from direct exposure to water and debris; care should be taken not to drive through deep water. WATER INGESTION IS THE DRIVERS RESPONSIBILITY! The air filter is reusable and should be cleaned periodically.

FILTER IDENTIFICATION

720-472 Airaid Oiled Media
722-472 Airaid SynthaMax Dry Media - Black

721-472 Airaid SynthaMax Dry Media - Red
723-472 Airaid SynthaMax Dry Media - Blue

For your Oiled media filter we suggest using the AIRAID Filter Tune-Up Kit!



P/N 790-551 Aerosol Spray
P/N 790-550 Squeeze Spray



SynthaMax

Do Not Oil

Synthamax Air Filters do not require oil. Service air filter as needed by cleaning with common non-petroleum all-purpose household cleaner and water. Simple Green®, Formula 409® or equivalent works great. Apply cleaner to outside of air filter and allow to soak. Then flush filter clean from the inside out with a garden hose and repeat steps if necessary. Do not apply high pressure water or air to clean filter. Allow filter to air dry and reinstall.

INTAKE SYSTEMS FOR VEHICLES LISTED ARE 50 STATE LEGAL. SEE AIRAID.COM FOR CARB STATUS ON EACH PART FOR A SPECIFIC VEHICLE.