

Airaid

Installation Instructions

For Part Numbers:

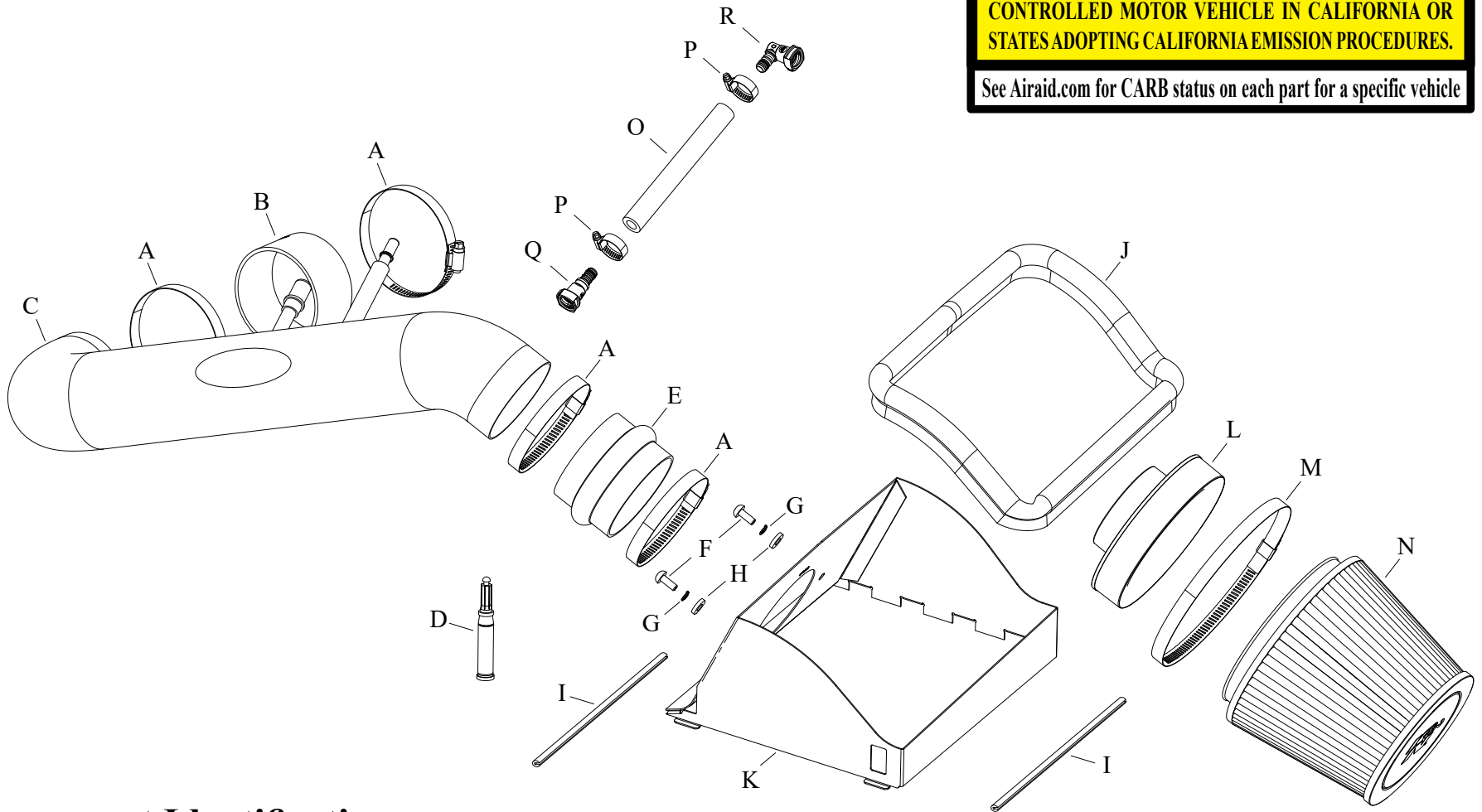
402-368 702-466 SynthaMax Dry Media Filter - Black

2015-19 FORD F150

V8-5.0L

NOT LEGAL FOR SALE OR USE ON ANY POLLUTION CONTROLLED MOTOR VEHICLE IN CALIFORNIA OR STATES ADOPTING CALIFORNIA EMISSION PROCEDURES.

See Airaid.com for CARB status on each part for a specific vehicle



Component Identification

Description	Qty.	Part #	Description	Qty.	Part #	Description	Qty.	Part #
A HOSE CLAMP #56	4	08620	G WASHER; M6 SPLIT LOCK ZINC	2	1-3025	M HOSE CLAMP #104	1	08697
B HOSE; 3-1/2" ID X 2"L REIN.	1	08698	H WASHER; 6MM , FLAT , SS	2	08269	N AIR FILTER	1	702-466
C INTAKE TUBE	1	KIT27398TK	I EDGE TRIM (19")	1	102451	O HOSE; 5/8"ID X 9"L	1	08691
D SUPER GLUE, 3G DRIP PROOF	1	409	J EDGE TRIM (39")	1	102496	P HOSE CLAMP #10	2	08411
E HOSE; 3-1/2"ID X 2-1/2" L HUMP	1	08699	K HEAT SHIELD	1	073182A	Q VENT; STRT QUICK DISC.	1	08526
F BOLT; M6 X 1.00 X 16MM, SS	2	07730	L ADAPTER; UNIVERSAL, 6"	1	21512-1	R FITTING; ELBOW, 90°	1	KITFITTING33

Full color instructions can be viewed on our web site at Airaid.com. If you need any assistance please call 1-800-498-6951 to speak with a representative in our Customer Service Center before returning the product.

TO START:

1. Turn off the ignition and disconnect the negative battery cable.

NOTE: Disconnecting the negative battery cable erases pre-programmed electronic memories. Write down all memory settings before disconnecting the negative battery cable. Some radios will require an anti-theft code to be entered after the battery is reconnected. The anti-theft code is typically supplied with your owner's manual. In the event your vehicles anti-theft code cannot be recovered, contact an authorized dealership to obtain your vehicles anti-theft code.



2. Disconnect the EVAP vent connection and crank case vent connection.



3. Loosen the hose clamps at the throttle body and filter inlet that secure the factory intake tube.



4. Unhook the coolant line from the intake tube and then remove the intake tube from the vehicle.

NOTE: AIRAID recommends that customers do not discard factory air intake.

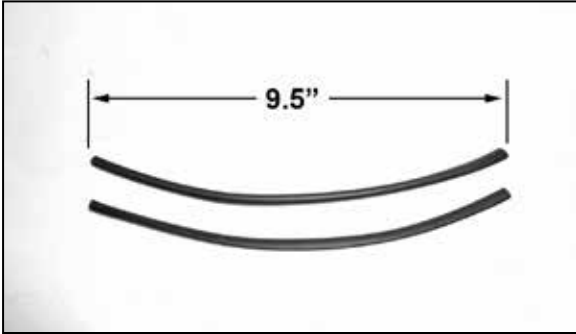


5. Release the two clips securing the upper air filter housing and then remove the upper filter housing and stock air filter.



6. Install the filter adapter into the AIRAID® heat shield and secure with provided hardware.

Continued...



7. Cut the small edge trim into two lengths of 9.5" long.



8. Install the two sections of edge trim onto the heat shield as shown. Use the provided super glue to secure the edge trim.



9. Install the provided large edge trim onto the top of the heat shield as shown.

NOTE: It will be necessary to trim the edge trim.



10. Install the air filter onto the filter adapter and secure with the provided hose clamp.



11. Install the filter/heat shield assembly onto the lower air filter housing and secure with the factory retaining clips.



12. Install the provided coupling hump hose onto the filter adapter and secure with the provided hose clamp.



13. Install the provided coupling hose onto the throttle body and secure with the provided hose clamp.



14. Install the AIRAID® intake into the coupling hose at the filter adapter and then into the hose at the throttle body, adjust the tube for best fit and then secure with the provided hose clamps.



15. Connect the factory EVAP and Crank case vent lines to the fittings on the AIRAID® intake tube.



15A. On some later models it may be necessary to assemble the crank case vent hose assembly with the provided parts and install due to the manufacturer changing the position on the valve cover port. Install the assembly with the 90° fitting attached to the valve cover port.



16. Double check your work!

Make sure there is no foreign material in the intake path. Make sure all clamps, hoses, bolts, and screws are tight. Double check the hood clearance!

Reconnect the negative battery cable!

Thank you for purchasing the Airaid Intake System. Contact Airaid @ (800) 498-6951 8:00 AM - 5:00 PM MST weekdays for questions regarding fit or instructions that are not clear to you. Your Airaid Intake System was carefully inspected and packaged. Check that no parts are missing, or were damaged during shipping. If any parts are missing, contact Airaid. The air filter element is protected from direct exposure to water and debris; care should be taken not to drive through deep water.

WATER INGESTION IS THE DRIVERS RESPONSIBILITY! The air filter is reusable and should be cleaned periodically.

FILTER IDENTIFICATION 702-466 Airaid SynthaMax Dry Media - Black

For your Oiled media filter we offer the
Airaid Tune Up Kit!



P/N 790-551 Aerosol Spray
P/N 790-550 Squeeze Spray



NOT LEGAL FOR SALE OR USE ON ANY POLLUTION CONTROLLED MOTOR VEHICLE IN CALIFORNIA OR STATES ADOPTING CALIFORNIA EMISSION PROCEDURES.

See Airaid.com for CARB status on each part for a specific vehicle

SynthaMax

Synthamax Air Filters **do not** require oil. Service air filter as needed by cleaning with common non-petroleum all-purpose household cleaner and water. Simple Green®, Formula 409® or equivalent works great. Apply cleaner to outside of air filter and allow to soak. Then flush filter clean from the inside out with a garden hose and repeat steps if necessary. Do not apply high pressure water or air to clean filter. Allow filter to air dry and reinstall.