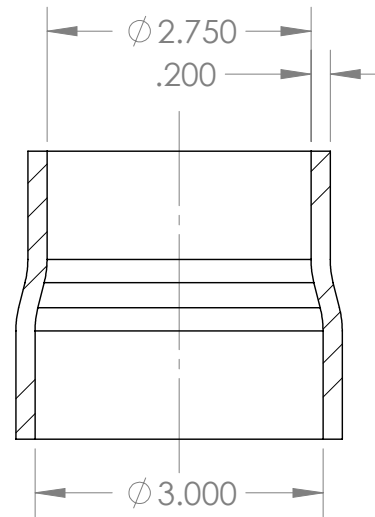
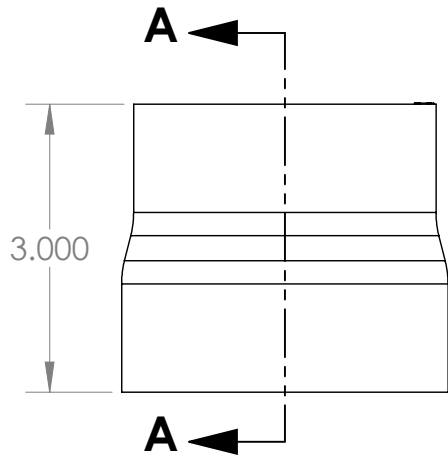
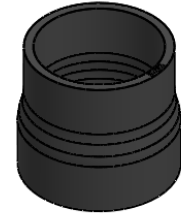


THE INFORMATION CONTAINED IN THIS DRAWING IS THE SOLE PROPERTY OF  
 ADVANCED ENGINE MANAGEMENT, INC. ANY REPRODUCTION IN PART OR WHOLE WITHOUT  
 THE WRITTEN PERMISSION OF ADVANCED ENGINE MANAGEMENT, INC. IS PROHIBITED.



**SECTION A-A**

UNLESS OTHERWISE SPECIFIED  
 DIMENSIONS ARE IN INCHES  
 TOLERANCES ARE:

±.X ±.XX ±.XXX  
 ±.06 ±.01 ±.005  
 ANGLES ±1°  
 CONCENTRICITY .010 T.I.R.

MATERIAL  
 EPDM 60 SHORE A

FINISH  
 AS MANUFACTURED

PART  
 VOLUME 5.80

CAD GENERATED DRAWING,  
 DO NOT MANUALLY UPDATE

DO NOT SCALE DRAWING



ADVANCED ENGINE  
 MANAGEMENT, INC.

TITLE  
 HOSE, ADAPTER 2.75/3.00 X 3" BL

SIZE A	DWG. NO. AEM-5-273 (ONLINE)	REV. C
-----------	--------------------------------	-----------

SCALE 1:2	<input type="radio"/> UK <input checked="" type="radio"/> USA	SHEET 1 OF 1
--------------	---	--------------