



# INSTALLATION INSTRUCTIONS

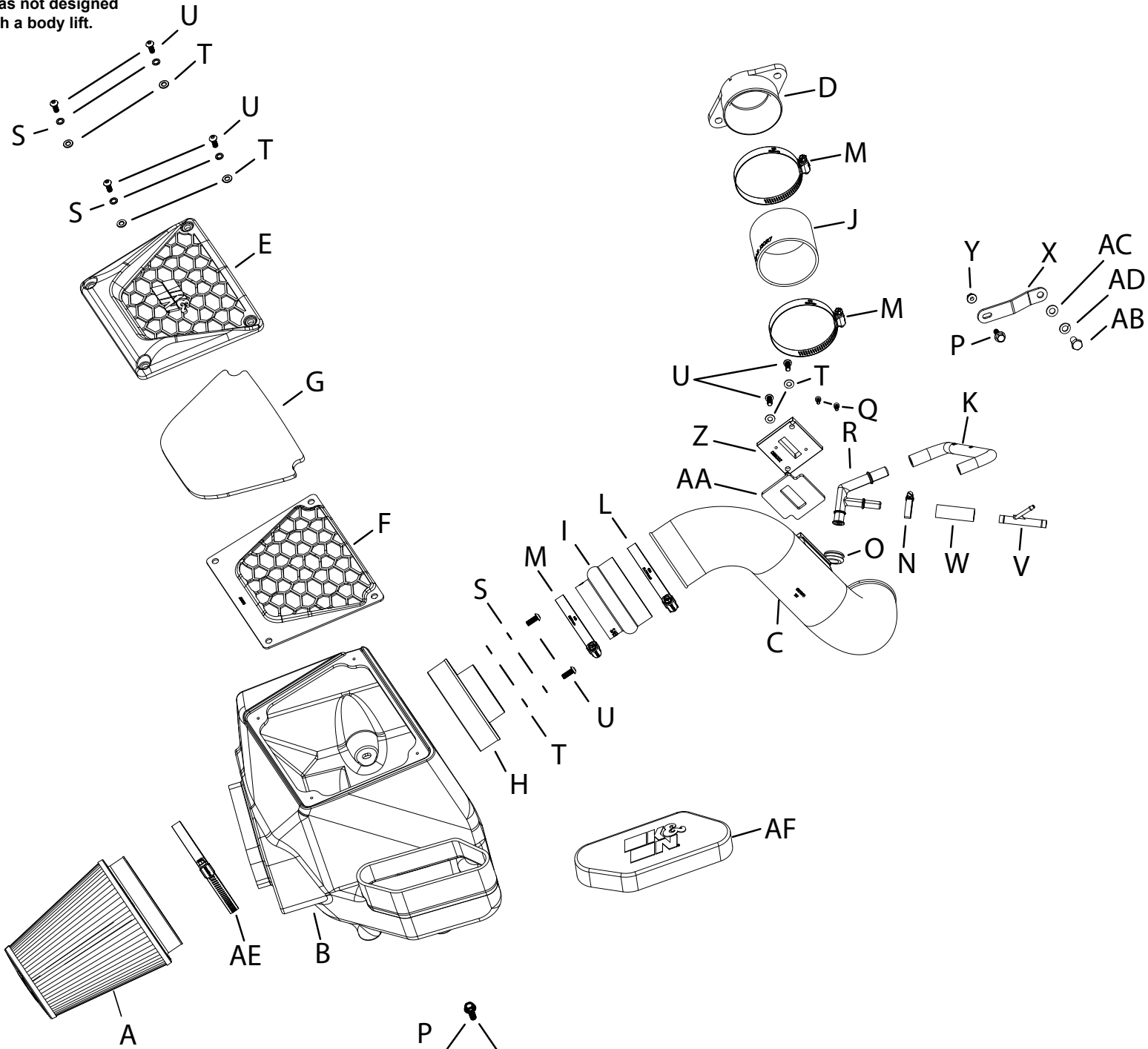
Not legal for sale or use in California on any pollution controlled motor vehicle.

## 63-9043 TOYOTA 2024-25 TACOMA 2024-25 LAND CRUISER L4-2.4L TURBO

### TOOLS NEEDED:

- Ratchet
- Extension
- 10mm Socket
- 13mm Socket
- 12mm Socket
- Phillips Screwdriver
- Flathead Screwdriver
- Pliers
- Pick or Small Screw Driver
- 3mm Allen Key
- 4mm Allen Key

NOTE: This kit was not designed to fit vehicles with a body lift.



### PARTS LIST:

Description	Qty.	Part #	Description	Qty.	Part #	Description	Qty.	Part #
A AIR FILTER	1	RU-1037	K HOSE; EVAP 5/16"	1	085196	V FITTING; VACUUM	1	82936
B AIRBOX	1	087592	L HOSE CLAMP; #56	1	08620	W HOSE; 3/8"ID X 2"L	1	5-1002
C TUBE	1	087593	M HOSE CLAMP; #48	3	08601	X BRACKET; "Z"	1	26545
D FLANGE; TURBO	1	088117	N HOSE CLAMP; #004	1	21850	Y NUT; M6, HEX, SERRATED	1	444.460.04
E FRAME; PRECLEANER TOP	1	088208	O GROMMET; 9/16"	1	KITGRMT02	Z ADAPTER; MAF SENSOR	1	088032
F FRAME; PRECLEANER BOT	1	088207	P BOLT; M6-1 X 20	4	1-2038	AA GASKET; PORON	1	09069
G INSERT; FOAM	1	971975	Q BOLT; M4-.7 X 8MM	2	07733	AB BOLT; 8MM-1.25 X 16MM	1	07844
H ADAPTER; FILTER	1	21569	R VENT; EJECTOR TEE	1	08548-1	AC WASHER; 8MM, FLAT	1	08272
I HOSE; HUMP 3.5"	1	084079	S WASHER; M6, SPLIT LOCK	6	1-3025	AD WASHER; M8 SPLIT LOCK	1	1-3036
J HOSE; 3" ID X 2.5"	1	08192	T WASHER; 6MM FLAT	8	08269	AE HOSE CLAMP; #88	1	KITHS88
			U BOLT; M6 X 1 X 16MM	8	07730	AF BLOCK OFF	1	084197

If you need any assistance please call 1-800-858-3333 to speak with a representative in our Customer Service Center before returning the product.

**NOTE: FAILURE TO FOLLOW INSTALLATION INSTRUCTIONS AND NOT USING THE PROVIDED HARDWARE MAY DAMAGE THE INTAKE TUBE, THROTTLE BODY AND ENGINE.**

## TO START:

1. Turn off the ignition and disconnect the negative battery cable.

**NOTE:** Disconnecting the negative battery cable erases pre-programmed electronic memories. Write down all memory settings before disconnecting the negative battery cable. Some radios will require an anti-theft code to be entered after the battery is reconnected. The anti-theft code is typically supplied with your owner's manual. In the event your vehicles anti-theft code cannot be recovered, contact an authorized dealership to obtain your vehicles anti-theft code.



2. Push down the center of the two retaining pins to unlock them, then lift the complete fresh air duct assembly and remove it from the vehicle. **NOTE:** Land Cruiser models do not use the under hood fresh air duct, skip to the next step.



3. Disconnect the mass air sensor electrical connection and unhook the wiring harness from the retaining clip.



4. Loosen the hose clamp that secures the factory intake tube to the turbo inlet.



5. Disconnect the intake tube and remove the stock intake system from the vehicle.



6. Remove the three air-filter housing mounting studs shown.



7. Release the spring clips that secure the charge tube quick connect fittings and then remove the charge tube assembly from the vehicle.



8. Release the spring clamp that secures the vent line shown to the charge tube manifold and then disconnect the hose from the manifold.



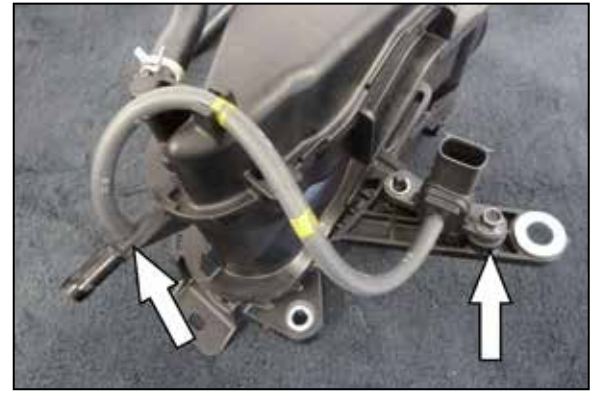
9. Remove the solenoid mounting bolt and disconnect the vacuum switch electrical connection.



10. Remove the two manifold mounting nuts and then slide the housing off the turbo inlet.



11. Disconnect the vent line shown from the manifold and remove the manifold from the vehicle.



12. Disconnect the vacuum line shown, remove the sensor mounting bolt and then remove the sensor.



13. Remove the sealing O-ring from the factory turbo manifold and install it into the K&N turbo inlet flange.



14. Install the K&N turbo inlet onto the turbo and secure with the factory mounting nuts.



15. Install the provided coupler onto the turbo inlet and secure with the provided hose clamp.



16. Install the gasket onto the K&N maf adapter. Remove the maf sensor from the factory housing and install it into the K&N adapter and secure with the provided hardware.



17. Install the maf assembly into the K&N intake tube, be sure to install the assembly in the correct orientation with the opening towards the air filter end of the tube.



18. Assemble the provided Ejector fitting, vacuum hose & vacuum fitting as shown.



19. Install the Ejector fitting assembly into the K&N intake tube using the provided grommet.



20. Install the intake hose assembly onto the turbo inlet. Connect the vent hoses from step #11 and #12 to the vacuum fitting as shown.



21. Install the filter adapter into the K&N air filter housing and secure with the provided hardware.



22. Install the K&N air filter housing assembly into the vehicle and secure with the provided hardware. **NOTE: On Land Cruiser models, install the provided block-off plug onto the under hood fresh air duct inlet.**



23. Install the provided hump coupler onto the intake tube and filter adapter, align for best fit and then secure with the provided hose clamps.



24. Reinstall the charge tube and secure with factory retaining clips.



25. Install the factory spring clamp from step #8 onto the small end of the provided vent hose.



26. Install the vent hose onto the ejector fitting installed into the K&N intake tube and then connect the open end onto the charge tube fitting.



27. Reconnect the MAF sensor electrical connection.



28. Using the provided bracket and hardware, mount the vacuum sensor to the engine as shown and then connect the vacuum line from the tee fitting connected to the ejector fitting.



29. Install the K&N air filter onto the filter adapter and secure with the provided hose clamp.



30. Assemble the pre-filter lid and install it onto the K&N air filter housing using the provided hardware.



31. Reinstall the factory fresh air duct and secure with the factory pins. **NOTE: Land Cruiser models do not use the under hood fresh air duct, skip to the next step.**



32. Reconnect the vehicle's negative battery cable. Double check to make sure everything is tight and properly positioned before starting the vehicle.

33. It will be necessary for all K&N® high flow intake systems to be checked periodically for realignment, clearance and tightening of all connections. Failure to follow the above instructions or proper maintenance may void warranty.

#### ROAD TESTING:

1. Start the engine with the transmission in neutral or park, and the parking brake engaged. Listen for air leaks or odd noises. For air leaks secure hoses and connections. For odd noises, find cause and repair before proceeding. This kit will function identically to the factory system except for being louder and much more responsive.

2. Test drive the vehicle. Listen for odd noises or rattles and fix as necessary.

3. If road test is fine, you can now enjoy the added power and performance from your kit.

4. K&N Engineering, Inc., requires cleaning the intake system's air filter element every 100,000 miles. When used in dusty or off-road environments, our filters will require cleaning more often. We recommend that you visually inspect your filter once every 25,000 miles to determine if the screen is still visible. When the screen is no longer visible some place on the filter element, it is time to clean it. To clean and re-oil, purchase our filter Recharger® service kit, part number 99-5050 or 99-5000 and follow the easy instructions.