



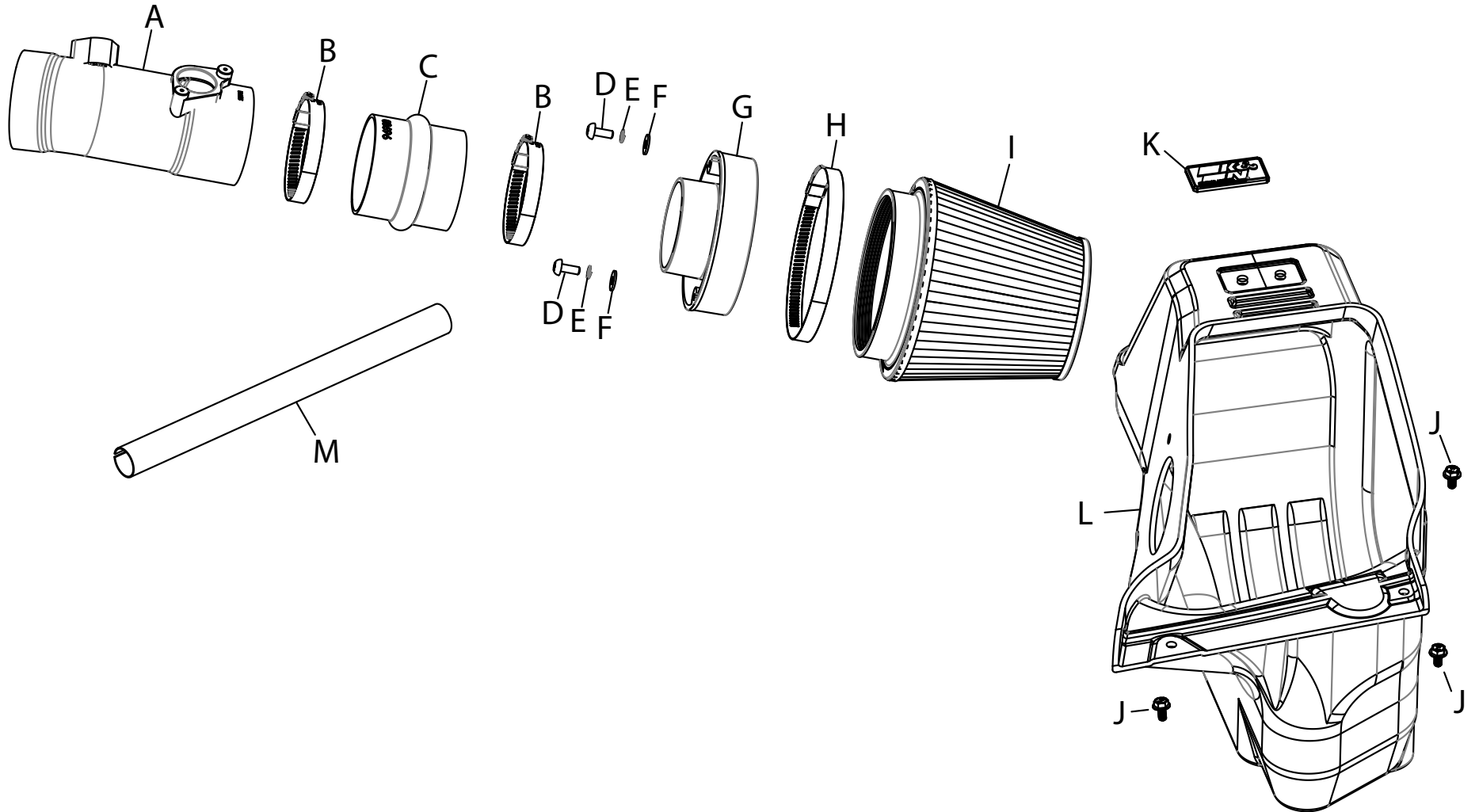
INSTALLATION INSTRUCTIONS

Not legal for sale or use in California on any pollution controlled motor vehicle.

69-1511TWR HONDA / ACURA 2023-25 CIVIC TYPE R L4-2.0L TUBRO 2024-25 INTEGRA TYPE S L4-2.0L TUBRO

TOOLS NEEDED:

- Ratchet
- Extension
- 10mm Socket
- Phillips Screw Driver
- Flat Blade Screw Driver
- #30 Torx
- 7/32 Socket
- 4mm Allen Key



PARTS LIST:

Description	Qty.	Part #	Description	Qty.	Part #	Description	Qty.	Part #
A INTAKE TUBE; (AL) RED	1	25911WR	F WASHER; M6, SPLIT LOCK	2	1-3025	K BADGE; PLASTIC SNAP IN	1	088096
B HOSE CLAMP; #48	2	08601	G ADAPTER; FILTER, 3"OD	1	21569	L AIRBOX; (RA)	1	087559
C HOSE; HUMP 3"ID X 2.5"L	1	087121	H HOSE CLAMP; #80	1	08694	M HARNESS COVER; 1/2" X 13"	1	21785
D BOLT; M6 X 1 X 16MM, BTNHD	2	07730	I AIR FILTER	1	RP-5113			
E WASHER; 6MM FLAT	2	08269	J BOLT; M6-1 X 12, HEX/FLANGE	3	1-2110			

If you need any assistance please call 1-800-858-3333 to speak with a representative in our Customer Service Center before returning the product.

NOTE: FAILURE TO FOLLOW INSTALLATION INSTRUCTIONS AND NOT USING THE PROVIDED HARDWARE MAY DAMAGE THE INTAKE TUBE, THROTTLE BODY AND ENGINE.

TO START:

1. Turn off the ignition and disconnect the negative battery cable.
NOTE: Disconnecting the negative battery cable erases pre-programmed electronic memories. Write down all memory settings before disconnecting the negative battery cable. Some radios will require an anti-theft code to be entered after the battery is reconnected. The anti-theft code is typically supplied with your owner's manual. In the event your vehicles anti-theft code cannot be recovered, contact an authorized dealership to obtain your vehicles anti-theft code.



2. Disconnect the mass air sensor electrical connection and then unhook the wiring harness from air filter housing.



3. Remove the two bolts that secure the EVAP fitting to the factory intake tube and remove the fitting from the intake tube.



4. Loosen the two hose clamps shown and then remove the factory intake tube assembly.



5. Remove the two bolts that secure the fresh air duct to the core support.



6. Remove the two bolts that secure the air filter housing and then remove the housing from the vehicle.



7. Remove the hard plastic cover from the mass air sensor harness pig tail.



8. Remove a mounting grommet from the factory air filter housing and install it into the K&N filter housing as shown.



9. Set the K&N air filter housing into the vehicle, secure the rear of the housing with the factory mounting bolt. Secure the front of the housing with the hardware provided.



10. Snap the K&N badge into the filter housing.



11. Install the provided filter adapter into the K&N filter housing and secure with the provided hardware.



12. Install the provided hump hose onto the filter adapter and secure with the provided hose clamp.



13. Remove the EVAP fitting O-Ring from the factory intake system and install it into the K&N intake tube as shown.



14. Install the K&N intake tube into the hump coupler and factory coupler, adjust for best fit and secure with the factory and provided hose clamps.



15. Install the EVAP fitting into the K&N intake tube and secure with the factory hardware.



16. Remove the mass air sensor from the factory intake system and install it into the K&N intake tube using the factory hardware.



17. Install the K&N air filter onto the filter adapter and secure with the factory hardware.



18. Reconnect the vehicle's negative battery cable. Double check to make sure everything is tight and properly positioned before starting the vehicle.

19. It will be necessary for all K&N® high flow intake systems to be checked periodically for realignment, clearance and tightening of all connections. Failure to follow the above instructions or proper maintenance may void warranty.

ROAD TESTING:

1. Start the engine with the transmission in neutral or park, and the parking brake engaged. Listen for air leaks or odd noises. For air leaks secure hoses and connections. For odd noises, find cause and repair before proceeding. This kit will function identically to the factory system except for being louder and much more responsive.

2. Test drive the vehicle. Listen for odd noises or rattles and fix as necessary.

3. If road test is fine, you can now enjoy the added power and performance from your kit.

4. K&N Engineering, Inc., requires cleaning the intake system's air filter element every 100,000 miles. When used in dusty or off-road environments, our filters will require cleaning more often. We recommend that you visually inspect your filter once every 25,000 miles to determine if the screen is still visible. When the screen is no longer visible some place on the filter element, it is time to clean it. To clean and re-oil, purchase our filter Recharger® service kit, part number 99-5050 or 99-5000 and follow the easy instructions.