



TYPHOON INTAKE SYSTEMS

NOT LEGAL FOR SALE OR USE ON ANY POLLUTION CONTROLLED MOTOR VEHICLE IN CALIFORNIA OR STATES ADOPTING CALIFORNIA EMISSION PROCEDURES.
See knfilters.com for CARB status on each part for a specific vehicle

INSTALLATION INSTRUCTIONS

69-6035TC

MAZDA

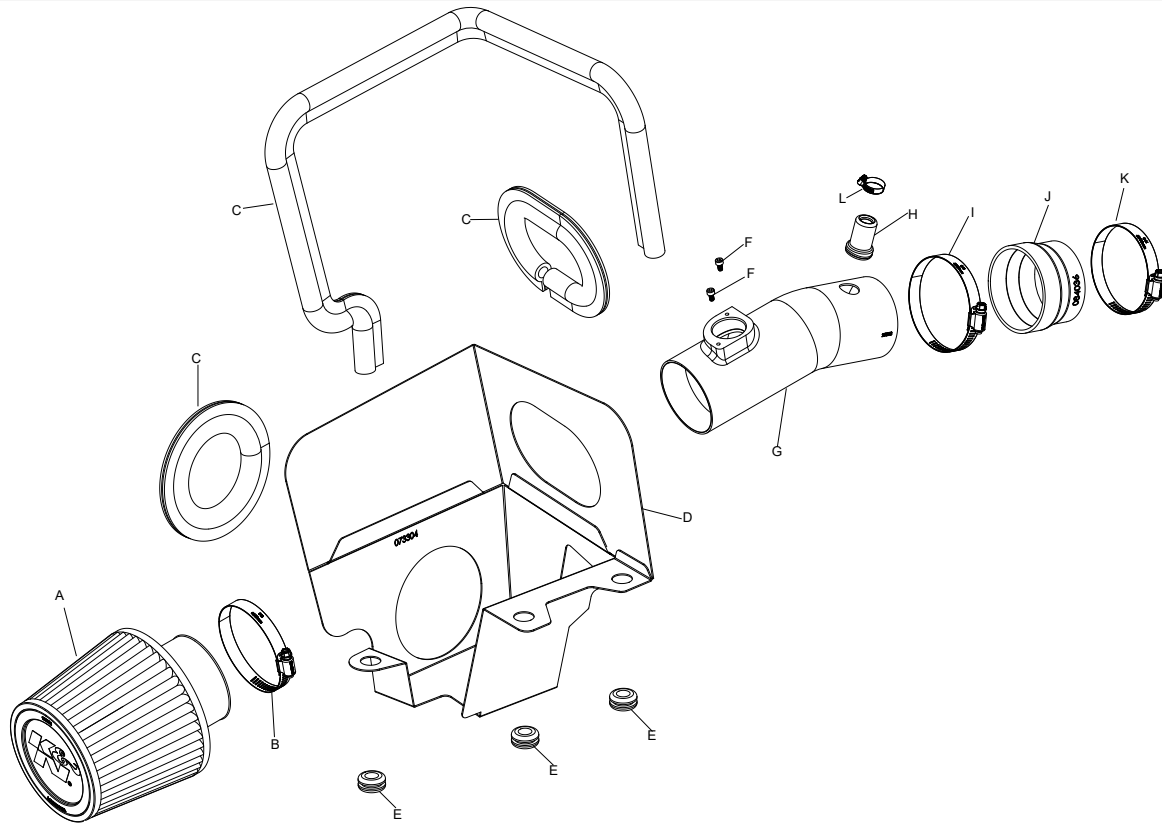
2019-23 / 3

2.5L

NOTE: This kit will not fit 2021-2023 turbo.

TOOLS NEEDED:

- Ratchet
- Extension
- 10mm socket
- Flat blade screw driver
- 3mm allen key
- Phillips screw driver
- Cutters



PARTS LIST:

Description	Qty.	Part #	Description	Qty.	Part #	Description	Qty.	Part #
A AIR FILTER	1	RU-5176	E GROMMET; 1"OD	3	08064	I HOSE CLAMP #44	1	08577
B HOSE CLAMP #52	1	08610	F BOLT; M4-.7 X 8MM	2	07733	J HOSE; 3" TO 2.75"ID X 2"L	1	084036
C EDGE TRIM; 66"L	1	102472	G TUBE; 3"OD X 9"L	1	25838C	K HOSE CLAMP #48	1	08601
D HEAT SHIELD	1	073304	H ADAPTER	1	8-168	L HOSE CLAMP; #6 MINI	1	08407

If you need any assistance please call 1-800-858-3333 to speak with a representative in our Customer Service Center before returning the product.

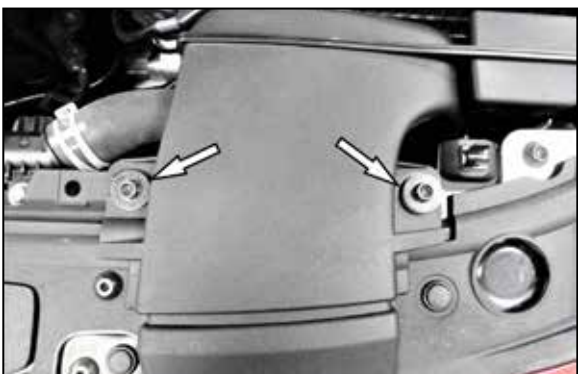
NOTE: FAILURE TO FOLLOW INSTALLATION INSTRUCTIONS AND NOT USING THE PROVIDED HARDWARE MAY DAMAGE THE INTAKE TUBE, THROTTLE BODY AND ENGINE.

TO START:

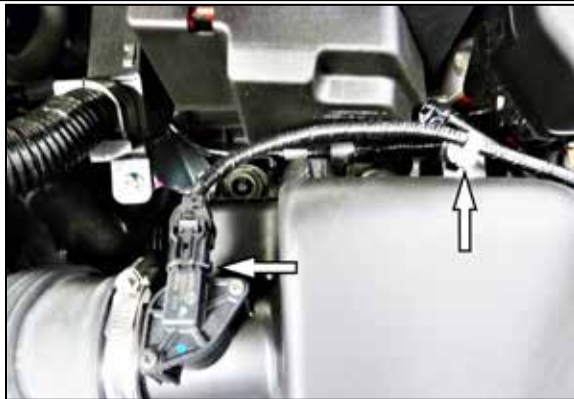
1. Turn off the ignition and disconnect the negative battery cable.
NOTE: Disconnecting the negative battery cable erases pre-programmed electronic memories. Write down all memory settings before disconnecting the negative battery cable. Some radios will require an anti-theft code to be entered after the battery is reconnected. The anti-theft code is typically supplied with your owner's manual. In the event your vehicles anti-theft code cannot be recovered, contact an authorized dealership to obtain your vehicles anti-theft code.



2. Pull straight up on the engine cover to remove it from the engine.



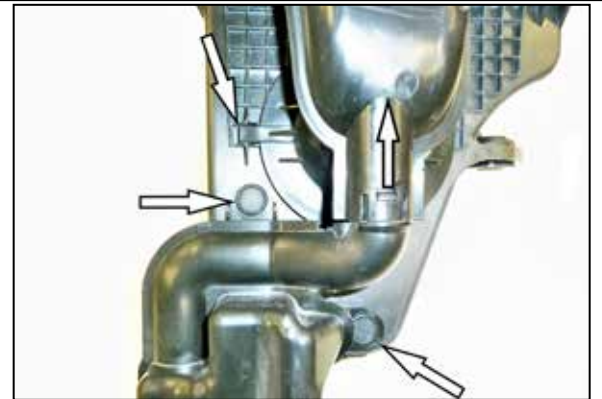
3. Remove the two bolts that secure the fresh air intake duct.



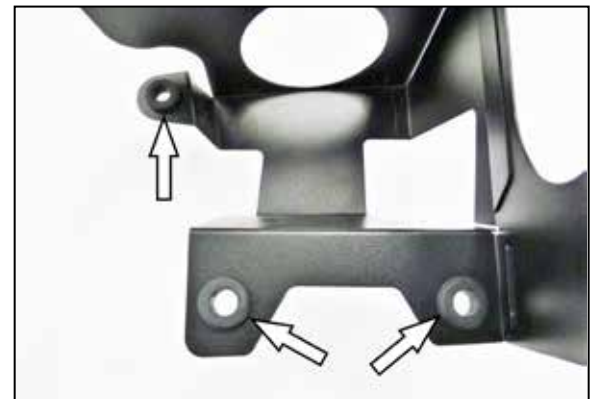
4. Disconnect the maf sensor electrical connection and unhook the wiring harness from the air filter housing.



5. Loosen the hose clamp that secures the intake hose to the throttle body and then disconnect the CCV pipe from the intake hose. Lift the complete intake assembly up and remove it from the vehicle.



6. Remove the two push-pins that secure the fresh air duct to the air filter housing, release the locking tab and then rotate the duct counter clockwise to remove it from the air filter housing.



7. Install the three provided grommets into the heat shield as shown.



8. Cut the provided edge trim into three sections as shown.



9. Install the edge trim into the heat shield as shown.



10. Install the factory fresh air intake duct into the heat shield assembly as shown.



11. Install the heat shield assembly into the vehicle so the grommets engage the mounting studs. Secure the fresh air duct to the core support with the factory bolts.



12. Install the provided coupler onto the throttle body and secure with the provided hose clamp.



13. Remove the maf sensor from the factory air filter housing and then install it into the K&N intake tube. Install the provided ccv grommet into the intake tube and then install the provided TYPHOON decal.



14. Install the K&N intake tube assembly through the heat shield and into the coupler at the throttle body, adjust the tube for best fit and then secure with the provided hose clamp.



15. Install the factory ccv pipe into the grommet installed into the K&N intake tube.



16. Install the K&N air filter onto the intake tube and secure with the provided hose clamp. Reconnect the maf sensor electrical connection.



17. Reinstall the engine cover.

18. Reconnect the vehicle's negative battery cable. Double check to make sure everything is tight and properly positioned before starting the vehicle.

19. It will be necessary for all K&N® high flow intake systems to be checked periodically for realignment, clearance and tightening of all connections. Failure to follow the above instructions or proper maintenance may void warranty.

ROAD TESTING:

1. Start the engine with the transmission in neutral or park, and the parking brake engaged. Listen for air leaks or odd noises. For air leaks secure hoses and connections. For odd noises, find cause and repair before proceeding. This kit will function identically to the factory system except for being louder and much more responsive.

2. Test drive the vehicle. Listen for odd noises or rattles and fix as necessary.

3. If road test is fine, you can now enjoy the added power and performance from your kit.

4. K&N Engineering, Inc., requires cleaning the intake system's air filter element every 100,000 miles. When used in dusty or off-road environments, our filters will require cleaning more often. We recommend that you visually inspect your filter once every 25,000 miles to determine if the screen is still visible. When the screen is no longer visible some place on the filter element, it is time to clean it. To clean and re-oil, purchase our filter Recharger® service kit, part number 99-5050 or 99-5000 and follow the easy instructions.

NOT LEGAL FOR SALE OR USE ON ANY POLLUTION CONTROLLED MOTOR VEHICLE IN CALIFORNIA OR STATES ADOPTING CALIFORNIA EMISSION PROCEDURES.

See knfilters.com for CARB status on each part for a specific vehicle