



# INSTALLATION INSTRUCTIONS

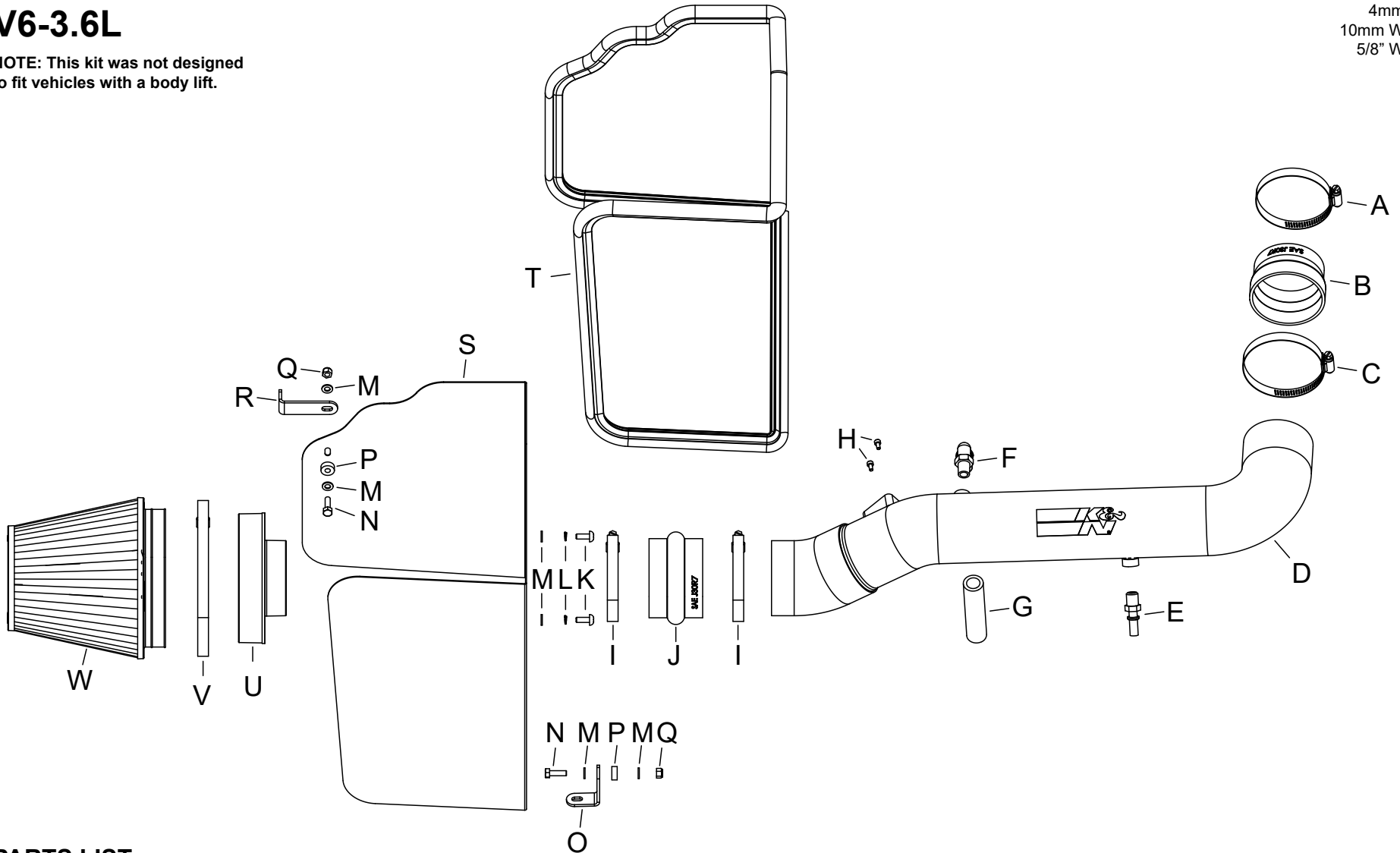
Not legal for sale or use in California on any pollution controlled motor vehicle.

## 77-3104KP CHEVROLET / GMC 2017-22 Colorado / Canyon V6-3.6L

NOTE: This kit was not designed to fit vehicles with a body lift.

### TOOLS NEEDED:

- Flat Blade Screwdriver
- Ratchet
- Extension
- 10mm Socket
- t-20 Torx
- 3mm Allen
- 4mm Allen
- 10mm Wrench
- 5/8" Wrench



### PARTS LIST:

Description	Qty.	Part #	Description	Qty.	Part #	Description	Qty.	Part #
A HOSE CLAMP #48	1	08601	I HOSE CLAMP #56	2	08620	Q NUT; 6MM NYLOCK, HEX	2	07512
B HOSE; 3.25"ID TO 3"ID X 2"L	1	08186	J HOSE; HUMP 3.5"ID X 2.5"L	1	08699	R BRACKET; "L"	1	07805A
C HOSE CLAMP #52	1	08610	K BOLT; M6 X 1 X 16MM, BTNHHD	2	07730	S HEAT SHIELD	1	073254A
D INTAKE TUBE; (AL)	1	27681P	L WASHER, M6 SPLIT LOCK ZINC	2	1-3025	T EDGE TRIM; (80"L)	1	102461
E VENT; 1/4"NPT TP .375"ID	1	08938	M WASHER; 6MM FLAT	6	08269	U ADAPTER; UNIVERSAL, 6"	1	21512-1
F FITTING; VENT 1/4NPT, 90DEG.	1	08525-1	N BOLT; M6 X 1 X 20MM, HEX	2	07795	V HOSE CLAMP #104	1	08697
G HOSE; 5/8"ID X 4"L	1	08244	O BRACKET; SMALL	1	070015A	W AIR FILTER	1	RU-1042XD
H BOLT; M4-.7 X 8MM, ALNHD	2	07733	P SPACER: .625" OD X .250"ID	2	06555			

If you need any assistance please call 1-800-858-3333 to speak with a representative in our Customer Service Center before returning the product.

**NOTE: FAILURE TO FOLLOW INSTALLATION INSTRUCTIONS AND NOT USING THE PROVIDED HARDWARE MAY DAMAGE THE INTAKE TUBE, THROTTLE BODY AND ENGINE.**

### TO START:

1. Turn off the ignition and disconnect the negative battery cable.  
**NOTE: Disconnecting the negative battery cable erases pre-programmed electronic memories. Write down all memory settings before disconnecting the negative battery cable. Some radios will require an anti-theft code to be entered after the battery is reconnected. The anti-theft code is typically supplied with your owner's manual. In the event your vehicles anti-theft code cannot be recovered, contact an authorized dealership to obtain your vehicles anti-theft code.**



2. Loosen the hose clamp that secures the intake hose to the air filter housing. Using a screwdriver, unlock the small clamp that secures the vent line to the connector and then disconnect the vent line. Remove the bolt securing the intake plenum to the engine.



3. Remove the oil fill cap and loosen the hose clamp securing the intake hose to the throttle body. Remove the bolt securing the intake plenum to the engine.



4. Remove the front center bolt securing the intake plenum to the engine and remove the intake plenum from the vehicle.

**NOTE: K&N Engineering, Inc., recommends that customers do not discard factory air intake.**



5. Release the red locking tab and then disconnect the mass air sensor electrical connection and unhook the harness from the air filter housing.



6. Remove the two nuts securing the air filter housing to the inner fender and then remove the housing from the vehicle.

**NOTE: One of the nuts will be reused in a later step.**



7. Install the filter adapter into the K&N® heat shield and secure with the provided hardware.



8. Install the edge trim onto the heat shield as shown.

**NOTE: Some trimming of the edge trim will be necessary.**



9. Install the provided heat shield mounting bracket (07805) onto the heat shield using the provided hardware and spacer.



10. Install the provided heat shield mounting bracket (070015) onto the heat shield using the provided hardware and spacer.



11. Remove the nut that secures the coolant reservoir to the inner fender.

**NOTE: This nut will be reused in the next step.**



12. Install the heat shield assembly into the vehicle and secure with the factory coolant reservoir nut and air box mounting nut.



13. Remove the mass air sensor from the factory air filter housing and install the sensor into the K&N® intake tube using the provided hardware.



14. Install the quick connect fitting into the K&N® intake tube as shown.

**NOTE: NPT fittings are easy to cross thread. Install the vent fitting "hand" tight, then turn it two complete turns with a wrench.**

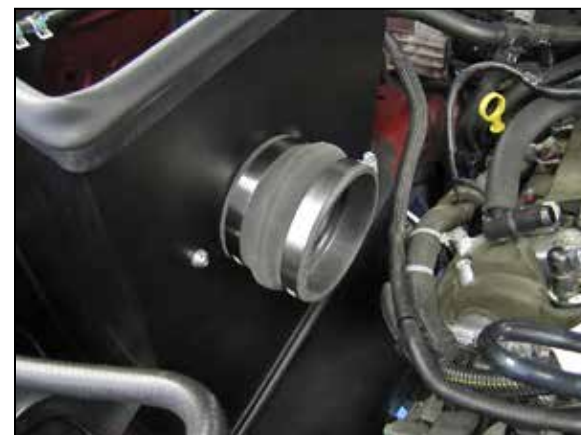


15. Install the 90° vent fitting into the K&N® intake tube as shown.

**NOTE: NPT fittings are easy to cross thread. Install the vent fitting "hand" tight, then turn it two complete turns with a wrench.**



16. Install the provided coupler (08186) onto the throttle body and secure with the provided hose clamp.



17. Install the provided hump coupler (08699) onto the heat shield and secure with the provided hose clamp.



18. Install the intake tube assembly into the coupler at the filter adapter and then into the coupler on the throttle body. Adjust the tube for best fit and secure with the provided hose clamps.



19. Rotate the crank case vent line and fitting so it aligns with the quick connect fitting and then connect.



20. Using the provided vent hose, connect the factory vent to the 90° fitting installed into the K&N® intake tube. Reconnect the mass air sensor electrical connection.



21. Install the K&N® air filter onto the filter adapter and secure with the provided hose clamp.



22. Reconnect the vehicle's negative battery cable. Double check to make sure everything is tight and properly positioned before starting the vehicle.

23. It will be necessary for all K&N® high flow intake systems to be checked periodically for realignment, clearance and tightening of all connections. Failure to follow the above instructions or proper maintenance may void warranty.

#### ROAD TESTING:

1. Start the engine with the transmission in neutral or park, and the parking brake engaged. Listen for air leaks or odd noises. For air leaks secure hoses and connections. For odd noises, find cause and repair before proceeding. This kit will function identically to the factory system except for being louder and much more responsive.

2. Test drive the vehicle. Listen for odd noises or rattles and fix as necessary.

3. If road test is fine, you can now enjoy the added power and performance from your kit.

4. K&N Engineering, Inc., requires cleaning the intake system's air filter element every 100,000 miles. When used in dusty or off-road environments, our filters will require cleaning more often. We recommend that you visually inspect your filter once every 25,000 miles to determine if the screen is still visible. When the screen is no longer visible some place on the filter element, it is time to clean it. To clean and re-oil, purchase our filter Recharger® service kit, part number 99-5050 or 99-5000 and follow the easy instructions.