



Equipped with AEM® Dryflow™ Filter
No Oil Required!

INSTALLATION INSTRUCTIONS

PART NUMBER

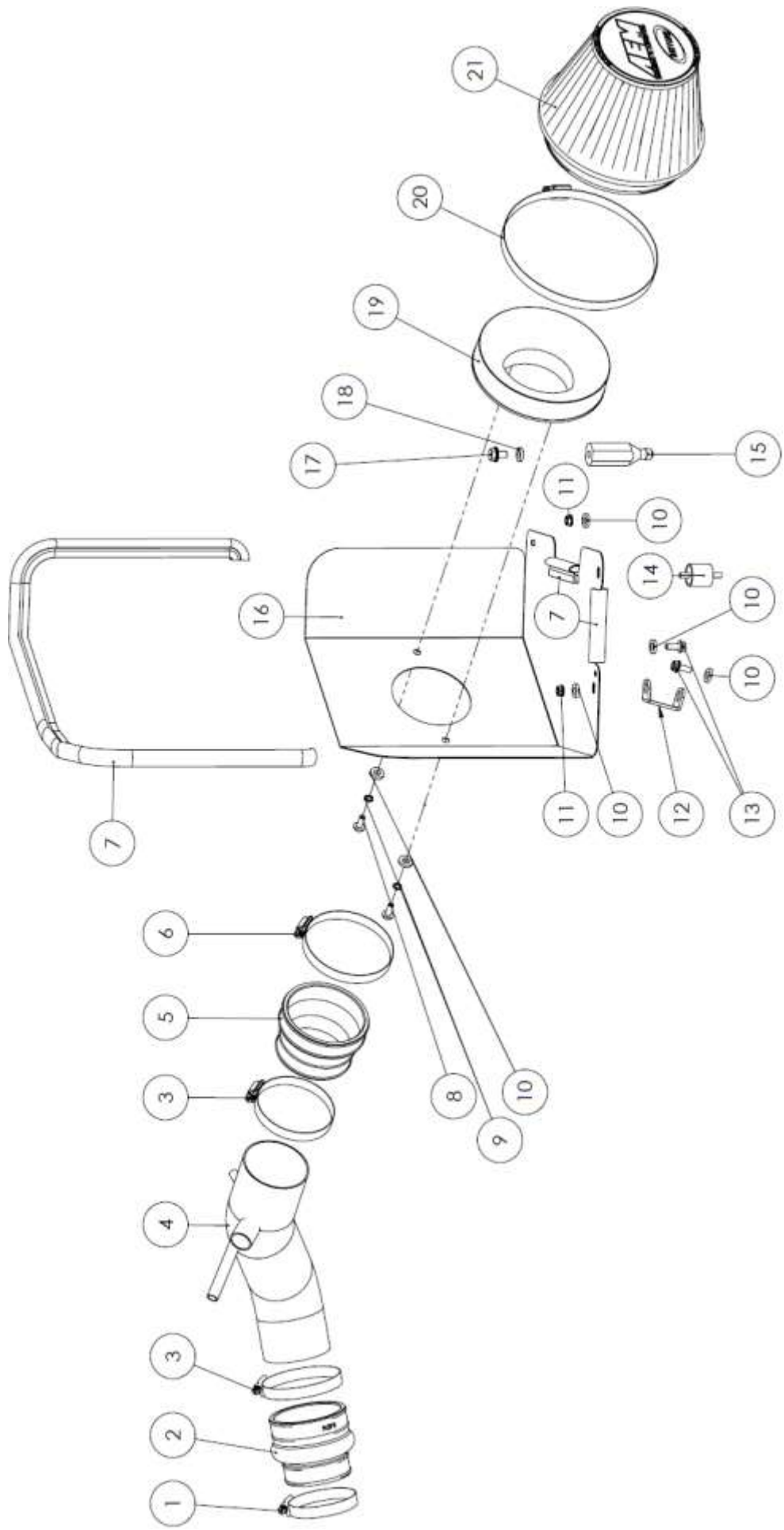
21-739C (Gun Metal Gray Finish)

2015-16	Hyundai	Sonata	2.0L Turbo	C.A.R.B. E.O. # D-670-24
2017	Hyundai	Sonata	2.0L Turbo	
2016-17	Kia	Optima	2.0L Turbo	

Some intake systems are not legal for sale or use on any pollution controlled motor vehicle in California or states adopting CA emission procedures. To know if a part number is legal in CA on your vehicle, visit AEMIntakes.com.

Tools Needed:
8 MM Socket
10 MM Socket
12 MM Socket
13MM Deep Well Socket
Socket Driver
Flat Head Screw Driver
Pliers

ITEM NO.	PART NUMBER	DESCRIPTION	QTY.
1	9440	HOSE CLAMP, 2.15-3.00"	1
2	5-574	HOSE; HUMP 2.50/3.00 X 3.00"	1
3	9448	1/2" BNDHOSE CLAMP, 2.56"-3.50"	2
4	2-1513C	INTAKE TUBE; 21-739 HYUNDAI 2.0L	1
5	5-1046	HOSE, ADAPTER 3.00/3.50X2.5	1
6	9456	1/2" BNDHOSE CLAMP, 3.15"-4.00"	1
7	102487	EDGE TRIM; 3/4" BULB, TOP LOC., 46"L	1
8	07730	BOLT; M6 X 1.00 X 16MM , BUTTON	2
9	1-3025	WASHER, M6 SPLIT LOCK ZINC	2
10	08275	WASHER; 1/4"ID X 5/8"OD - SAE	6
11	07529	NUT; M6 HEX SERRATED; GEO	2
12	32-3095	BRACKET, 21-739 HYUNDAI SONATA	1
13	08373	BOLT; M6X1.00X16 HEX; FLG, GEO	2
14	1228599	MOUNT, RUBBER 1" X 6MM	1
15	06532	STANDOFF; AIRBOX	1
16	20-8539	HEAT SHIELD; 21-739 HYUNDAI	1
17	08318	BOLT; M8X1.25X16 HEX; FLG, GEO	1
18	08272	WASHER; 8MM, FLAT, SS	1
19	21512-1	ADAPTER; UNIVERSAL, 6" FILTER 3.5"	1
20	94104	1/2" BNDHOSE CLAMP, 4.125-7.00"	1
21	21-209DK	AIR FILTER; 6" X 5" X 4.75" T DRYFLOW	1



Read and understand these instructions **BEFORE** attempting to install this product. Failure to follow installation instructions and not using the provided hardware may damage the intake tube, throttle body and engine. If you need any assistance please call 1-800-858-3333 to speak with a representative in our Customer Service Center before returning the product.

1. Preparing Vehicle

- a. Make sure vehicle is parked on level surface.
- b. Set the parking brake.
- c. If engine has run in the past two hours, let it cool down.
- d. Disconnect negative battery terminal.
- e. Do not discard stock components after removal of the factory system.
- f. Open the air intake kit package and make sure all parts are included.

2. Removal of stock system



a. Remove the engine cover by pulling it up and out of the vehicle. Then, remove the 3 plastic screws circled and pull the stock scoop out of the vehicle.



b. Remove the 2 bolts securing the stock air box to the vehicle.



c. Release the 3 spring clamps circled on the stock intake tube and remove the 3 lines attached to the stock intake tube. These will be reattached in step 3j.



d. Loosen the hose clamp at the throttle body and remove the stock air box/intake tube from the vehicle.
Note: Do not discard any of your stock equipment.

3. Installation of AEM® intake system.

When installing the intake system, do not completely tighten the hose clamps or mounting hardware until instructed to do so.



a. Install the supplied bracket (32-3095), bolt (08373), and washer (08275) onto the angled part of the battery tray as shown. **Note:** The 90° bend will be at the top part of the bracket.

b. Install the rubber mount (1228599) into the battery tray location shown.



c. Install the edge trim(102487) as shown. Cut the trim to fit all three sections.

d. Install the adapter (21512-1) with the supplied button heads (07730) and 2 washers (1-3025 & 08275).



e. Install the standoff (06532) with the bolt (08318) and washer (08272) onto the heat shield as shown.



f. Install the hose adapter (5-1046) onto the filter adapter with hose clamps (9448 & 9456). Tighten the hose clamp closest to the heat shield at this time.



g. Install the hump hose (5-574) onto the turbo with the supplied hose clamps (9440 & 9448). Tighten the hose clamp closest to the turbo at this time.



h. Install the completed heat shield into the vehicle aligning the 2 slots in the front to the previously installed mounts. Push down to secure the stand off.



i. Install a washer (08275) and nut (07529) onto the rubber mount, shown on the right. Then install the bolt (08373), 2 washers(08275), and nut (07529) to secure the heat shield to the bracket. **Ref.** Exploded View



j. Install the AEM intake tube (2-1513C) into the two couplers. Tighten both hose clamps. Install all three of the hoses onto the tube and re-install the spring clamps to secure them that were removed in 2c.



k. Install the AEM filter (21-209DK) and hose clamp (94104) onto the filter adapter and secure the hose clamp.



l. Install the stock scoop and plastic screws that were removed in step 2a. Then reinstall the engine cover.



Stock Intake Installed.



AEM Intake Installed

4. Reassemble Vehicle

- Position the inlet pipes for the best fitment. Be sure that the pipes or any other components do not contact any part of the vehicle.
- Check for proper hood clearance. Re-adjust pipes if necessary and re-tighten them.
- Inspect the engine bay for any loose tools and check that all fasteners that were moved or removed are properly tightened.
- Reconnect negative battery terminal and start engine. Let the vehicle idle for 3 minutes. Perform a final inspection before driving the vehicle.

5. Service and Maintenance

- AEM Induction Systems requires cleaning the intake system's air filter element every 100,000 miles. When used in dusty or off-road environments, our filters will require cleaning more often. We recommend that you visually inspect your filter once every 25,000 miles to determine if the screen is still visible. When the screen is no longer visible some place on the filter element, it is time to clean it. To clean, purchase our Synthetic air filter cleaner, part number 1-1000 and follow the easy instructions.
- Use window cleaner to clean your powder coated AEM® intake tube.

NOTE: DO NOT USE aluminum polish on powder coated AEM® intake tubes.

For technical inquiries
e-mail us at
sales@aemintakes.com
or
call us at
800.992.3000

AEM Air Intake System Warranty Policy

AEM® warrants that its intake systems will last for the life of your vehicle. AEM® will not honor this warranty due to mechanical damage (i.e. improper installation or fitment), damage from misuse, accidents or flying debris. AEM® will not warrant its powder coating if the finish has been cleaned with a hydrocarbon-based solvent. The powder coating should only be cleaned with a mild soap and water solution. Proof of purchase of both the vehicle and AEM® intake system is required for redemption of a warranty claim.

This warranty is limited to the repair or replacement of the AEM® part. In no event shall this warranty exceed the original purchase price of the AEM® part nor shall AEM® be responsible for special, incidental or consequential damages or cost incurred due to the failure of this product. Warranty claims to AEM® must be transportation prepaid and accompanied with dated proof of purchase. This warranty applies only to the original purchaser of product and is nontransferable. Improper use or installation, use for racing, accident, abuse, unauthorized repairs or alterations voids this warranty. AEM® disclaims any liability for consequential damages due to breach of any written or implied warranty on all products manufactured by AEM®. Warranty returns will only be accepted by AEM® when accompanied by a valid Return Merchandise Authorization (RMA) number. Credit for defective products will be issued pending inspection. Product must be received by AEM® within 30 days of the date RMA is issued.

If you have a warranty issue, please call (800) 992-3000 and our customer service department will assist you. A proof of purchase is required for all AEM® warranty claims.

Some intake systems are not legal for sale or use on any pollution controlled motor vehicle in California or states adopting CA emission procedures. To know if a part number is legal in CA on your vehicle, visit AEMIntakes.com.