



INTAKE SYSTEM

INSTALLATION INSTRUCTIONS

21-780C (Gun Metal Gray Finish)

LEXUS

2015-18 RC-F

2022-23 IS500

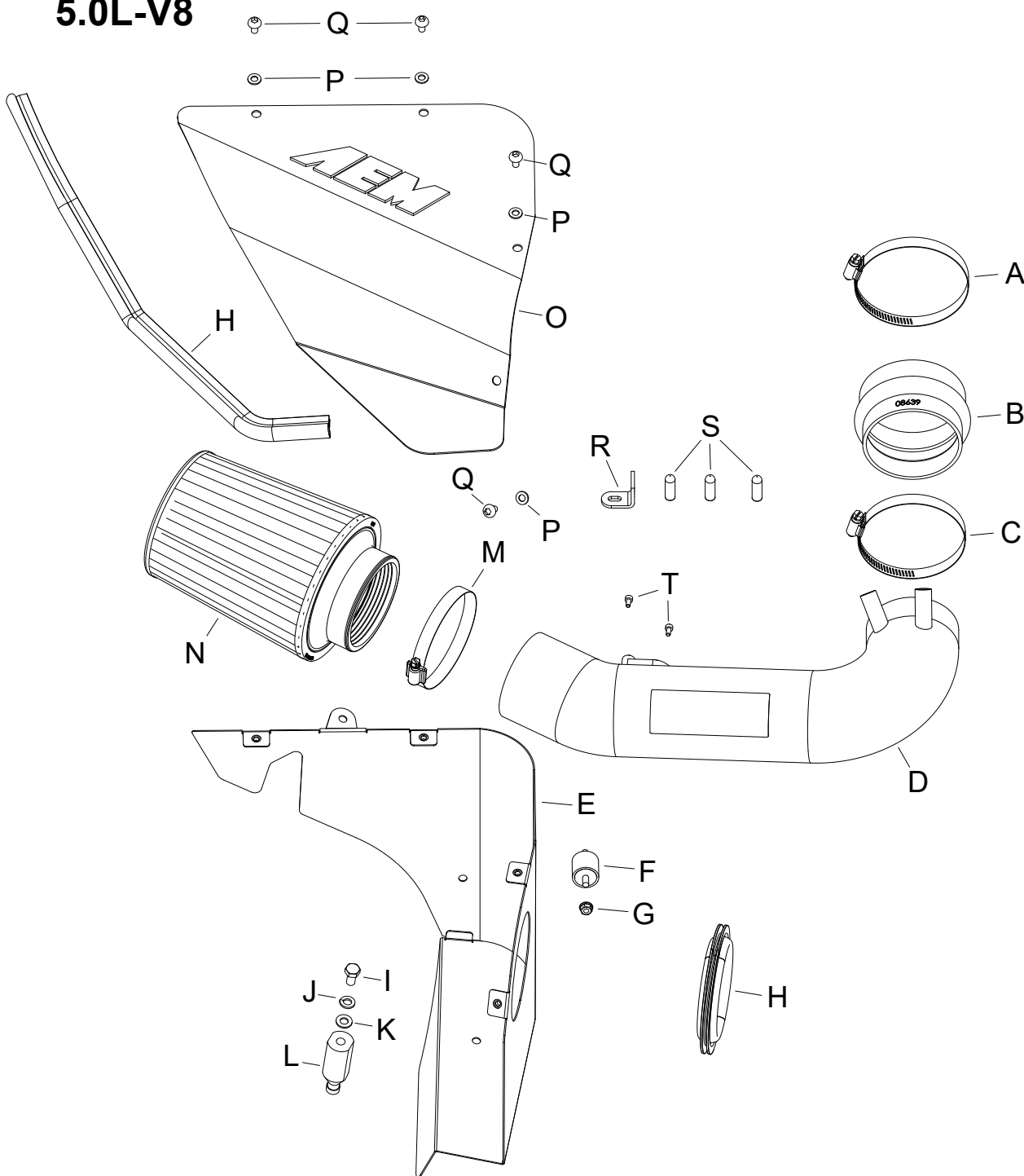
5.0L-V8

NOT LEGAL FOR SALE OR USE ON ANY POLLUTION CONTROLLED MOTOR VEHICLE IN CALIFORNIA OR STATES ADOPTING CALIFORNIA EMISSION PROCEDURES.

See aemintakes.com for CARB status on each part for a specific vehicle

TOOLS NEEDED:

ratchet
extension
10mm socket
flat blade screw driver
pliers



PARTS LIST:

Description	Qty.	Part #
A HOSE CLAMP; #56	1	08620
B HOSE; HUMP 3.5"ID TO 3.75"	1	08639
C HOSE CLAMP; #60	1	08624
D INTAKE TUBE	1	2-1618C
E HEAT SHIELD; (PS)	1	20-8627
F STUD; RUBBER MOUNT, M6	1	02033
G NUT; M6, SERRATED	1	KIT20WFCZ060
H EDGE TRIM; (35"L)	1	102471
I BOLT; 8MM-1.25 X 16MM, HEXHD	1	07844
J WASHER, M8 SPLIT LOCK ZINC	1	1-3036
K WASHER; 8MM, FLAT	1	08272
L STANDOFF; AIRBOX	1	06532
M 1/2" BNDHOSE CLAMP, 3.15"	1	9456
N AIR FILTER	1	21-2147DK
O LID; HEAT SHIELD	1	20-8628
P ADAPTER; #A22, ATS	4	08264
Q BOLT; M6-1 X 12MM, BTNHD	4	07794
R BRACKET; "L", SML.	1	070066A
S CAPPLUG; 3/8"OD X 1/4"ID	3	08215
T BOLT; M4-.7 X 8MM, ALNHD	2	07733

If you need any assistance please call 1-800-858-3333 to speak with a representative in our Customer Service Center before returning the product.

Read and understand these instructions BEFORE attempting to install this product. Failure to follow installation instructions and not using the provided hardware may damage the intake tube, throttle body and engine.

TO START:

1. Turn off the ignition and disconnect the negative battery cable.

NOTE: Disconnecting the negative battery cable erases pre-programmed electronic memories. Write down all memory settings before disconnecting the negative battery cable. Some radios will require an anti-theft code to be entered after the battery is reconnected. The anti-theft code is typically supplied with your owner's manual. In the event your vehicles anti-theft code cannot be recovered, contact an authorized dealership to obtain your vehicles anti-theft code.



2. Release the spring clamps that secure the crank case vent lines and then unhook the vent lines from the factory intake tube. Loosen the hose clamp that secures the intake tube to the throttle body.



3. Disconnect the mass air sensor electrical connection and unhook the wiring harness.



4. Disconnect the vacuum switching valve electrical connection. Remove the bolt which secures the air filter housing to the strut tower.

NOTE: This bolt will be reused in a later step.



5. Remove the lower air filter housing mounting bolt.

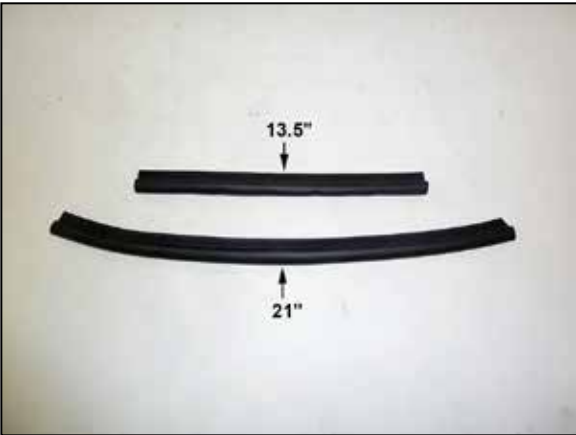


6. Remove the ten push pins that secure the core support shroud and then remove the core support shroud from the vehicle.



7. Remove the bolt and push pin that secure fresh air intake duct, then remove the fresh air duct and air filter housing from the vehicle.

NOTE: AEM recommends that customers do not discard factory air intake.



8. Cut the provided edge trim into two sections, one section should be 21" long and one section will be 13.5"



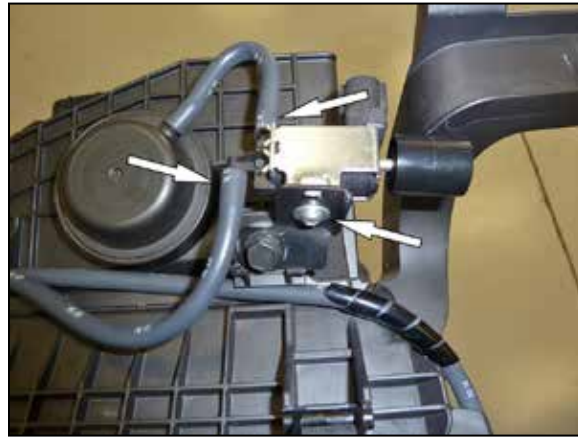
9. Install the 13.5" section of edge trim into the hole of the heat shield. Install the heat shield mounting post onto the heat shield using the provided hardware.



10. Install the provided vacuum cap onto the vacuum diaphragm. Install the provided rubber mounted stud into the strut tower as shown.



11. Set the heat shield into position in the vehicle so that the mounting stud inserts into the factory mounting grommet. Secure the heat shield to the rubber mounted stud with the provided hardware.



12. Remove the vacuum switching valve from the air filter housing.



13. Install the provided vacuum caps and "L" bracket onto the vacuum solenoid using the provided hardware.



14. Using the factory bolt from step 4, secure the vacuum switching valve and heat shield to the shock tower as shown.



15. Install the provided hump coupler onto the throttle body and secure with the provided hose clamp.



16. Remove the mass air sensor from the factory air filter housing and install it into the AEM® intake tube.



17. Install the AEM® intake tube through the heat shield and into the coupler on the throttle body. Adjust the tube for best fit and then secure with the provided hose clamp. Connect the crank case vent lines and secure with the factory spring clamps.



18. Install the AEM® air filter onto the intake tube and secure with the provided hose clamp.



19. Reinstall the fresh air intake duct and secure with the factory Hardware.



20. Reinstall the core support shroud and secure with the factory push pins.



21. Install the remaining edge trim onto the Carbon Fiber filter lid.



22. Install the carbon fiber lid assembly onto the heat shield and secure with the provided hardware.



Reassemble Vehicle

Position the inlet pipes for the best fitment. Be sure that the pipes or any other components do not contact any part of the vehicle. Tighten the rubber mount, all bolts, and hose clamps. Check for proper hood clearance. Re-adjust pipes if necessary and re-tighten them. Inspect the engine bay for any loose tools and check that all fasteners that were moved or removed are properly tightened. Reconnect negative battery terminal and start engine. Let the vehicle idle for 3 minutes. Perform a final inspection before driving the vehicle.

Service and Maintenance

AEM Induction Systems requires cleaning the intake system's air filter element every 100,000 miles. When used in dusty or off-road environments, our filters will require cleaning more often. We recommend that you visually inspect your filter once every 25,000 miles to determine if the screen is still visible. When the screen is no longer visible some place on the filter element, it is time to clean it. To clean, purchase our Synthetic air filter cleaner, part number AEM-1-1000 and follow the easy instructions. Use window cleaner to clean your powder coated AEM® intake tube.

NOTE: DO NOT USE aluminum polish on powder coated AEM® intake tubes.

NOT LEGAL FOR SALE OR USE ON ANY POLLUTION CONTROLLED MOTOR VEHICLE IN CALIFORNIA OR STATES ADOPTING CALIFORNIA EMISSION PROCEDURES.

See aemintakes.com for CARB status on each part for a specific vehicle

AEM Air Intake System Warranty Policy

AEM® warrants that its intake systems will last for the life of your vehicle. AEM will not honor this warranty due to mechanical damage (i.e. improper installation or fitment), damage from misuse, accidents or flying debris. AEM will not warrant its powder coating if the finish has been cleaned with a hydrocarbon-based solvent. The powder coating should only be cleaned with a mild soap and water solution. Proof of purchase of both the vehicle and AEM intake system is required for redemption of a warranty claim.

This warranty is limited to the repair or replacement of the AEM part. In no event shall this warranty exceed the original purchase price of the AEM part nor shall AEM be responsible for special, incidental or consequential damages or cost incurred due to the failure of this product. Warranty claims to AEM must be transportation prepaid and accompanied with dated proof of purchase. This warranty applies only to the original purchaser of product and is nontransferable. Improper use or installation, use for racing, accident, abuse, unauthorized repairs or alterations voids this warranty. AEM disclaims any liability for consequential damages due to breach of any written or implied warranty on all products manufactured by AEM. Warranty returns will only be accepted by AEM when accompanied by a valid Return Merchandise Authorization (RMA) number. Credit for defective products will be issued pending inspection. Product must be received by AEM within 30 days of the date RMA is issued.

If you have a warranty issue, please call (800) 992-3000 and our customer service department will assist you. A proof of purchase is required for all AEM warranty claims.