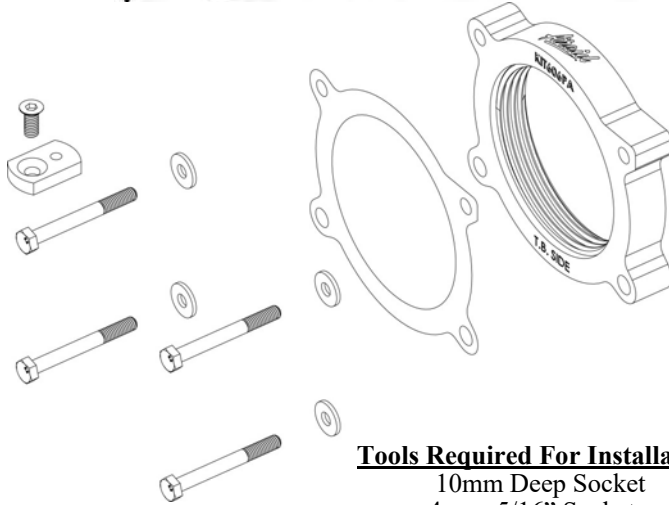




**Installation Instructions
Part Number 200-606**

**2014-2015 Chevrolet Silverado
2500/3500**

**2007-2013
Chevrolet Silverado 2500/3500
GMC Sierra 2500/3500
GMT-900 Series Trucks & SUVs
4.8L, 5.3L, 6.0L, 6.2L
2008-09 Hummer H-2
05-06 Pontiac GTO 6.0L
06-08 Chevrolet Trailblazer 5.3L
06-08 GMC Envoy 5.3L**



**INTAKE SYSTEMS FOR VEHICLES LISTED ARE 50
STATE LEGAL. SEE AIRAID.COM FOR CARB STATUS
ON EACH PART FOR A SPECIFIC VEHICLE.**

Tools Required For Installation
10mm Deep Socket
4mm, 5/16" Sockets
5/32" Allen Wrench

Parts List		
AIR-KIT606PA	Aluminum Plate	(1)
AIR-KIT606G	Gasket	(1)
AIR-KIT606H	Hardware	(4)
	6mmx65mm Bolts	(4)
	6mm Flat Washers	(1)
	3/4" Extension Plate	(1)
	6mm Flat Head Bolt	(1)

Thank you for purchasing the Airaid Throttle Body Spacer. Please read the instruction manual carefully before proceeding with the installation. Your Airaid Throttle Body Spacer was carefully inspected and packaged. Check that no parts are missing, or were damaged during shipping. If you need any assistance please call 1-800-858-3333 to speak with a representative in our Customer Service Center before returning the product.

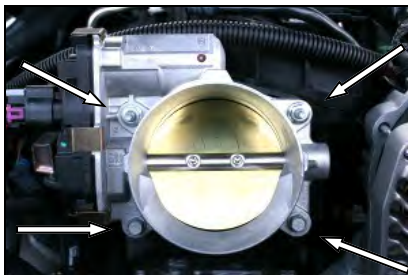
Thank you for selecting AIRAID.



1. Disconnect the negative battery cable!
Lift up on the front of the and beauty cover and remove it from the vehicle. Push down on the radiator hose, and separate the tube from the plastic clamp.



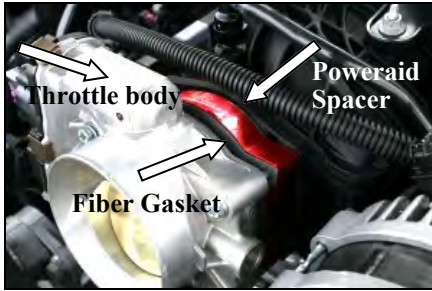
2. Disconnect the breather tube from the intake tube, by gently pulling towards you. An O-ring is all that holds it in place. Next loosen the hose clamp on the intake tube at the throttle body, and at the Mass Air Sensor, and remove the tube from the vehicle.



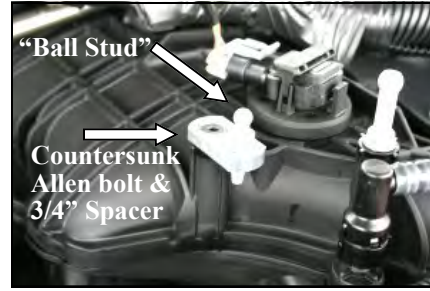
3. With a 10mm socket remove the two nuts, and the two bolts that hold the throttle body to the intake manifold. Without disconnecting the wiring harness, set the throttle body aside.



4. With a 4mm socket, remove the two studs that held the throttle body to the intake manifold.



5. Install 2 of the supplied bolts (#2) and washers (#3) thru the two holes in the top of the throttle body, thru the supplied fiber gasket (#4), thru the Airaid Spacer, and into the two brass inserts in the intake manifold. Run the bolts in a few threads with your fingers. Use caution not to cross-thread the bolts. Next install the 2 remaining bolts (#2) and washers (#3) in the two bottom holes of the throttle body, and tighten in a cross pattern to the vehicle manufacture's specifications.



6. Remove the "ball stud" from the top of the intake manifold, insert the countersunk Allen bolt (#6) thru the countersunk hole in the provided 3/4" spacer plate (#5). Thread the countersunk bolt into the hole where you removed the "ball stud", face the spacer towards the front of the vehicle, and tighten the countersunk Allen bolt. Next thread the "ball stud" into the forward hole in the 3/4" spacer and tighten.



7. Remove the factory grommet from the intake tube.



8. Install the grommet from step #7 on the "ball stud", with the small diameter facing up as shown.



9. Re-install the intake tube using caution to center the intake tube hole over the previously installed grommet. Some adjustment may be required to seat the grommet correctly back into the intake tube. Tighten the hose clamps on the tube. Re-connect the breather tube. Re-install the plastic holder from step #1. Re-install the beauty cover.
Re-connect the negative battery cable!

The sound of power...The "whistle" means its working!

Contact your nearest Airaid dealer for an Airaid Intake System for your car, truck or SUV.

AIR-I20606D
Rev. 06.16.20

Airaid. 1455 Citrus St, PO Box 1329, Riverside, CA 92502 (800) 498-6951 AiraidInfo@airaid.com