



Installation Instructions

For Part Numbers:

200-752 850-135 Airaid Oiled Media Filter

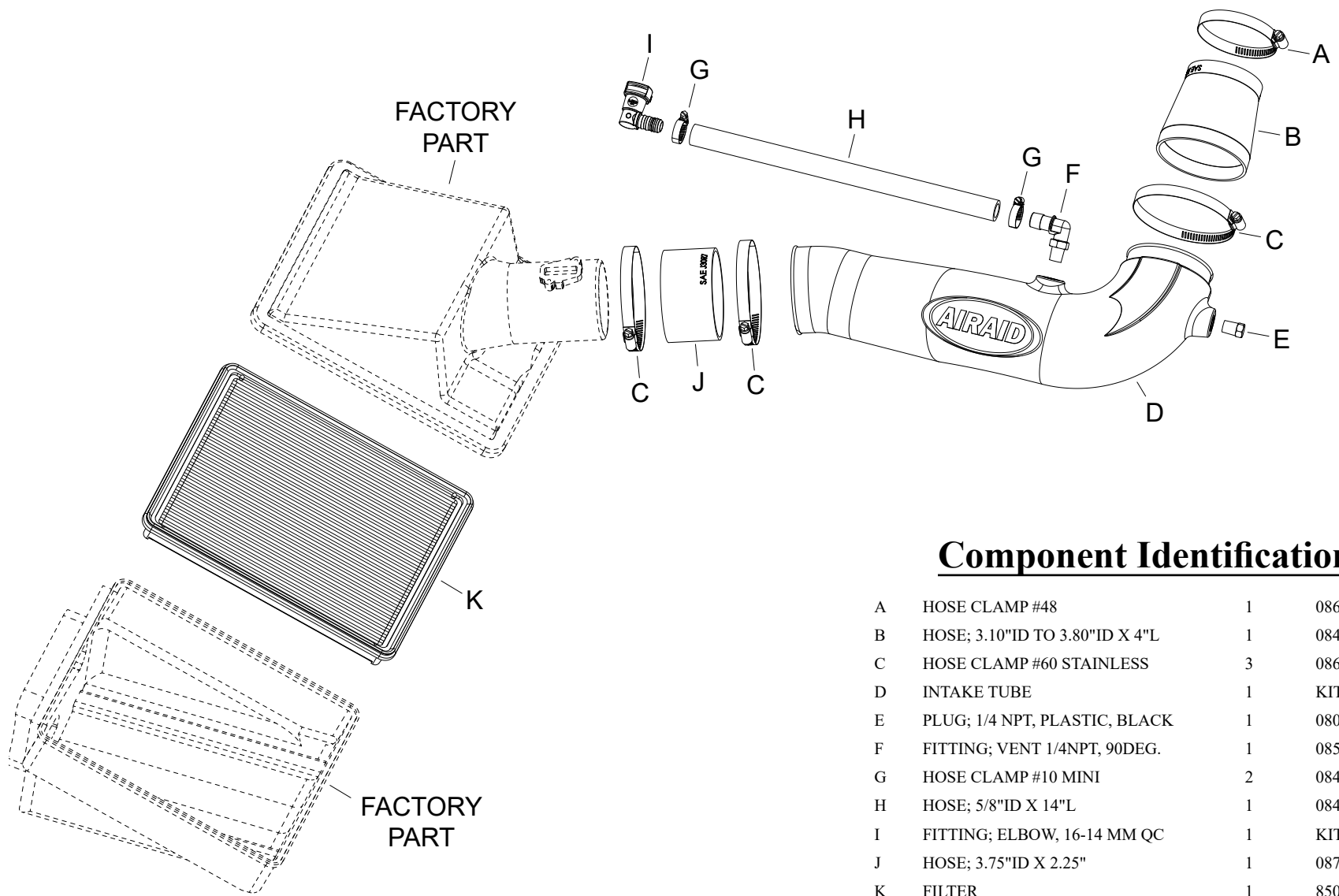
201-752 851-135 SynthaMax Dry Media Filter - Red

2017-2018 / Chevrolet / Silverado

2017-2018 / GMC / Sierra

V6-4.3L

INTAKE SYSTEMS FOR VEHICLES LISTED ARE 50 STATE LEGAL. SEE AIRAID.COM FOR CARB STATUS ON EACH PART FOR A SPECIFIC VEHICLE.



Component Identification

A	HOSE CLAMP #48	1	08601
B	HOSE; 3.10"ID TO 3.80"ID X 4"L	1	084104
C	HOSE CLAMP #60 STAINLESS	3	08628
D	INTAKE TUBE	1	KIT751A
E	PLUG; 1/4 NPT, PLASTIC, BLACK	1	08032
F	FITTING; VENT 1/4NPT, 90DEG.	1	08525
G	HOSE CLAMP #10 MINI	2	08411
H	HOSE; 5/8"ID X 14"L	1	084083
I	FITTING; ELBOW, 16-14 MM QC	1	KITFITTING33
J	HOSE; 3.75"ID X 2.25"	1	08760
K	FILTER	1	850/851-135

Full color instructions can be viewed on our web site at Airaid.com. If you need any assistance please call 1-800-858-3333 to speak with a representative in our Customer Service Center before returning the product.

1. Turn off the ignition and disconnect the negative battery cable.

NOTE: Disconnecting the negative battery cable erases pre-programmed electronic memories. Write down all memory settings before disconnecting the negative battery cable. Some radios will require an anti-theft code to be entered after the battery is reconnected. The anti-theft code is typically supplied with your owner's manual. In the event your vehicles anti-theft code cannot be recovered, contact an authorized dealership to obtain your vehicles anti-theft code.



2. Disconnect the crank case vent quick connect fitting from the factory intake plenum.



3. Rotate the crank case vent hose to access the quick connect release tap and then disconnect the crank case vent hose from the valve cover port.



4. Loosen the hose clamps securing the intake plenum to the throttle body and air filter housing then remove the intake plenum from the vehicle.

NOTE: Airaid recommends that customers do not discard factory air intake.



5. Loosen the four screws that secure the upper air filter housing and then remove the upper housing and set to the side.



6. Replace the factory air filter with the provided AIRAID® air filter and reinstall and secure the upper air filter housing.

Continued...



7. Install the provided 90° vent fitting and NPT plug into the AIRAID® intake tube as shown.

NOTE: Plastic NPT fittings are easy to cross thread. Install the vent fitting “hand” tight, then turn it two complete turns with a wrench.



8. Install the provided step coupler (084104) onto the AIRAID® intake tube as shown.



9. Install the provided coupler (08760) onto the factory air filter housing as shown.



10. Install the AIRAID® intake tube into the coupler on the air filter housing and then onto the throttle body, adjust the tube for best fit and then secure with the provided hose clamps.



11. Install the provided 90° quick connect fitting and hose clamps onto the provided crank case vent hose as shown.



12. Connect the Crank case vent hose quick connect fitting onto the valve cover port and then connect the open end to the fitting installed into the intake tube and secure the hose clamps.



13. Double check your work!

Make sure there is no foreign material in the intake path. Make sure all clamps, hoses, bolts, and screws are tight. Double check the hood clearance!

Reconnect the negative battery cable!

Thank you for purchasing the Airaid Intake System. Contact Airaid @ (800) 498-6951 8:00 AM - 5:00 PM MST weekdays for questions regarding fit or instructions that are not clear to you. Your Airaid Intake System was carefully inspected and packaged. Check that no parts are missing, or were damaged during shipping. If any parts are missing, contact Airaid. The air filter element is protected from direct exposure to water and debris; care should be taken not to drive through deep water.

WATER INGESTION IS THE DRIVERS RESPONSIBILITY! The air filter is reusable and should be cleaned periodically.

FILTER IDENTIFICATION

850-135 Airaid Oiled Media

851-135 Airaid SynthaMax Dry Media - Red

For your Oiled media filter we offer the Airaid Tune Up Kit!



P/N 790-551 Aerosol Spray
P/N 790-550 Squeeze Spray



INTAKE SYSTEMS FOR VEHICLES LISTED ARE 50 STATE LEGAL. SEE AIRAID.COM FOR CARB STATUS ON EACH PART FOR A SPECIFIC VEHICLE.

SynthaMax

Do Not Oil

Synthamax Air Filters do not require oil. Service air filter as needed by cleaning with common non-petroleum all-purpose household cleaner and water. Simple Green®, Formula 409® or equivalent works great. Apply cleaner to outside of air filter and allow to soak. Then flush filter clean from the inside out with a garden hose and repeat steps if necessary. Do not apply high pressure water or air to clean filter. Allow filter to air dry and reinstall.