

Airaid

INSTALLATION INSTRUCTIONS

204-306 704-461 Airaid Oiled Media Filter

205-306 705-461 SynthaMax Dry Media Filter

2020-25 CHEVROLET SILVERADO 1500

2020-25 GMC SIERRA 1500

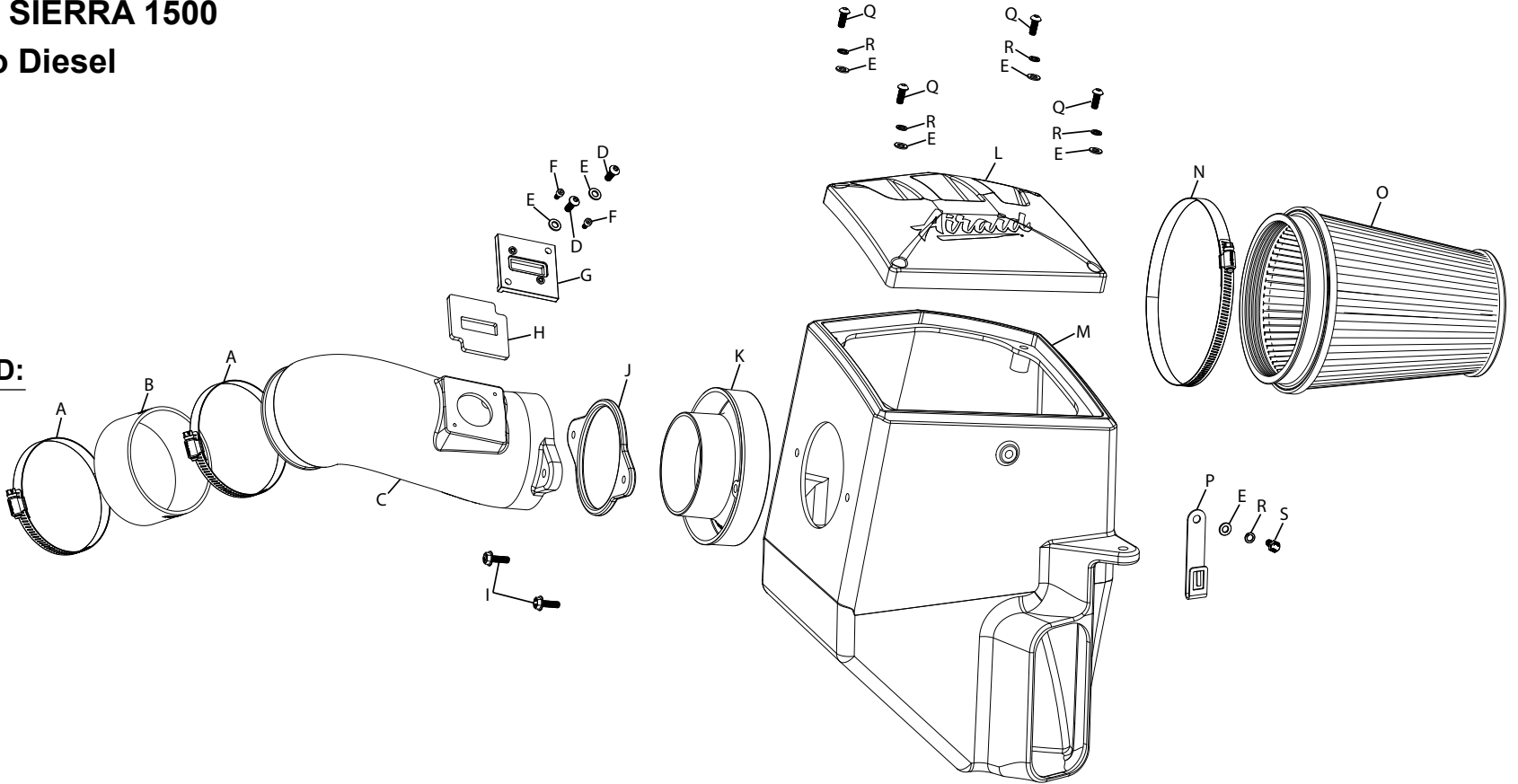
L6-3.0L Turbo Diesel

NOT LEGAL FOR SALE OR USE ON ANY POLLUTION CONTROLLED MOTOR VEHICLE IN CALIFORNIA OR STATES ADOPTING CALIFORNIA EMISSION PROCEDURES.

See Airaid.com for CARB status on each part for a specific vehicle

TOOLS NEEDED:

Ratchet
Extension
10mm deep socket
3mm allen key
4mm allen key
T10 Torx
T20 Torx
Phillips screw driver
Flat blade screw driver
90° pick



COMPONENT IDENTIFICATION

Description	Qty.	Part #	Description	Qty.	Part #	Description	Qty.	Part #
A HOSE CLAMP; #64	2	08645	H GASKET; 3/16" PORON	1	09069	O AIR FILTER	1	704/705-461
B HOSE; 4"ID X 2"L	1	08761	I BOLT; M6-1 X 30 HEX	2	1-1016	P BRACKET; STL	1	064358A
C TUBE; (OK)	1	087478A	J GASKET	1	09386	Q SCREW; M6 X 20MM BTNDHD	4	KIT-20BHC3060
D BOLT; M6 X 1 X 16MM BTNHD	2	07730	K ADAPTOR #454	1	27300	R WASHER; M6 SPLIT LOCK ZINC	5	1-3025
E WASHER; 6MM FLAT	7	08269	L LID; CLEAR	1	088092	S BOLT; M6 X 1 X 12MM	1	07727
F BOLT; M4-.7 X 8MM A/HD	2	07733	M AIRBOX; (OJ)	1	087477A			
G ADAPTER; MAF SENSOR	1	21515-1	N HOSE CLAMP; #104	1	KITHS104			

Full color instructions can be viewed on our web site at Airaid.com. If you need any assistance please call 1-800-498-6951 to speak with a representative in our Customer Service Center before returning the product.

TO START:

1. Turn off the ignition and disconnect the negative battery cable.

NOTE: Disconnecting the negative battery cable erases pre-programmed electronic memories. Write down all memory settings before disconnecting the negative battery cable. Some radios will require an anti-theft code to be entered after the battery is reconnected. The anti-theft code is typically supplied with your owner's manual. In the event your vehicles anti-theft code cannot be recovered, contact an authorized dealership to obtain your vehicles anti-theft code.



2. Remove the two screws that secure the hood release lever and then remove the lever from the vehicle.



3. Remove the ten retaining clips that secure the valence and then remove the valence from the vehicle.



4. Remove the retaining clip shown that secures the fresh air duct and then disconnect the duct from the air filter housing.



5. Loosen the hose clamp that secures the intake hose to the turbo inlet and disconnect the hose from the inlet.



6. Disconnect the mass air sensor electrical connection.

Continued...



7. Loosen the three screws that secure the air filter lid onto the air filter base. Remove the lid and hose assemble and factory air filter from the vehicle.



8. Release the locking tab and then disconnect the bulk electrical connection from the air filter housing.



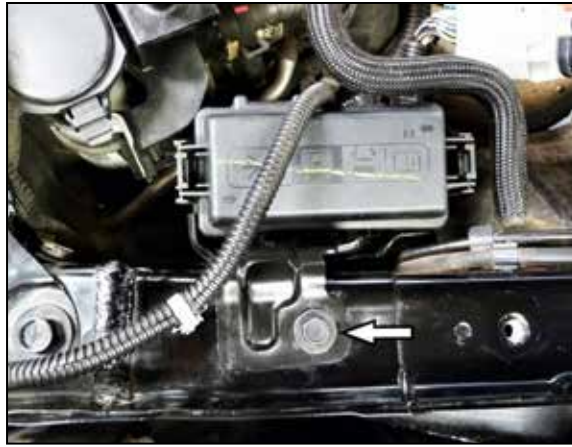
9. Unhook the wiring harness from the lower air filter housing.



10. Remove the two bolts that secure the strut brace and then remove the strut brace from the vehicle.



11. Remove the expansion tank mounting bolt shown.



12. Remove the relay box mounting bolt shown.



13. Remove the nut that secures the lower air filter housing and then remove the lower air filter housing from the vehicle.



14. Install the wiring harness bracket onto the AIRAID air filter housing using the provided hardware.



15. Remove the two-air box mounting grommets from the factory air filter housing and install them onto the AIRAID air filter housing as shown.



16. Install the AIRAID air filter housing into the vehicle so the mounting grommets insert into the factory mounting holes and then secure with the factory mounting nut.



17. Engage the fresh air duct into the AIRAID air filter housing and then secure it with the factory retaining clip.



18. Reinstall the strut brace using the factory hardware. Resecure the relay box and expansion tank with the factory hardware.



19. Reinstall the valence and secure with the factory retaining clips. Reinstall the hood release arm to the hood latch and secure with the factory bolts.



20. Install the provided coupler onto the turbo inlet and secure with the provided hose clamp.



21. Install the provided gasket onto the mass air adapter. Remove the mass air sensor from the factory air filter housing and install it into the adapter and secure with the provided hardware.

Continued...



22. Install the mass air sensor into the intake tube and secure with the provided hardware. Note the direction of the mass air sensor when installed should be as in the photo.



23. Install the intake tube into the coupler and align with the filter housing, then slide the gasket between the tube and housing, insert the filter adapter through the housing and gasket into the intake tube. Align the mounting holes and then secure with the provided hardware.



24. Secure the intake tube with the provided hose clamp.



25. Reconnect the mass air sensor electrical connection.



26. Install the AIRAID air filter into the air filter housing and onto the filter adapter, then secure with the provided hose clamp.



27. Install the AIRAID lid onto the air filter housing and secure with the provided hardware.



28. Double check your work!

Make sure there is no foreign material in the intake path. Make sure all clamps, hoses, bolts, and screws are tight. Double check the hood clearance! **Reconnect the negative battery cable!**

Thank you for purchasing the Airaid Intake System. Contact Airaid @ (800) 498-6951 8:00 AM - 5:00 PM MST weekdays for questions regarding fit or instructions that are not clear to you. Your Airaid Intake System was carefully inspected and packaged. Check that no parts are missing, or were damaged during shipping. If any parts are missing, contact Airaid. The air filter element is protected from direct exposure to water and debris; care should be taken not to drive through deep water. **WATER INGESTION IS THE DRIVERS RESPONSIBILITY!** The air filter is reusable and should be cleaned periodically.

For your Oiled media filter we offer the Airaid Tune Up Kit!



P/N 790-551 Aerosol Spray
P/N 790-550 Squeeze Spray



NOT LEGAL FOR SALE OR USE ON ANY POLLUTION CONTROLLED MOTOR VEHICLE IN CALIFORNIA OR STATES ADOPTING CALIFORNIA EMISSION PROCEDURES.

See Airaid.com for CARB status on each part for a specific vehicle



Synthamax Air Filters do not require oil. Service air filter as needed by cleaning with common non-petroleum all-purpose household cleaner and water. Simple Green®, Formula 409® or equivalent works great. Apply cleaner to outside of air filter and allow to soak. Then flush filter clean from the inside out with a garden hose and repeat steps if necessary. Do not apply high pressure water or air to clean filter. Allow filter to air dry and reinstall.