

Airaid

INSTALLATION INSTRUCTIONS

205-398 705-466 SynthaMax Dry Media Filter

2019-25 CHEVROLET Blazer

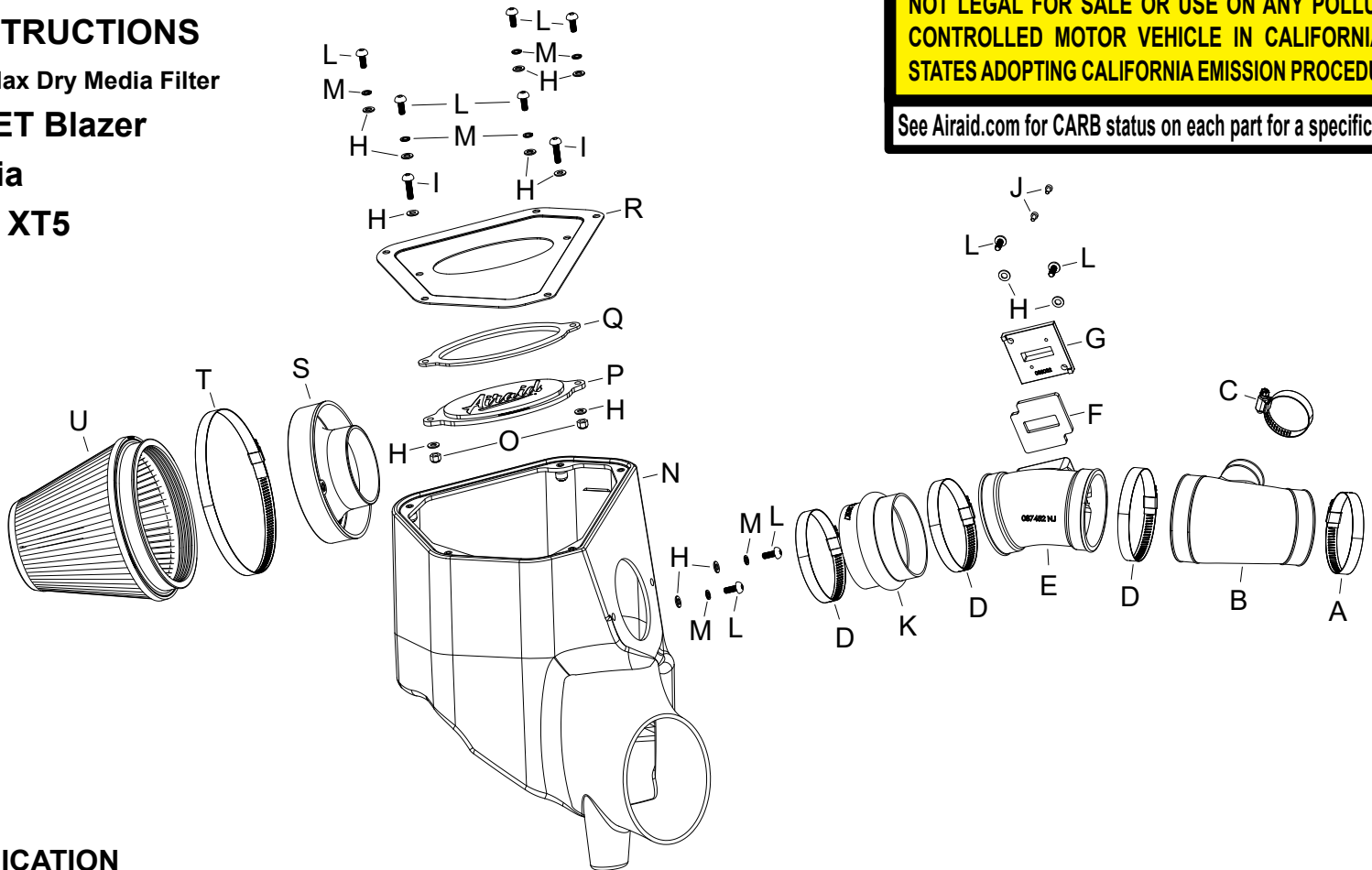
2017-24 GMC Acadia

2017-25 CADILLAC XT5

V6-3.6L

TOOLS NEEDED:

flat blade screw driver
3mm allen key
4mm allen key
t20 torx



NOT LEGAL FOR SALE OR USE ON ANY POLLUTION CONTROLLED MOTOR VEHICLE IN CALIFORNIA OR STATES ADOPTING CALIFORNIA EMISSION PROCEDURES.

See Airaid.com for CARB status on each part for a specific vehicle

COMPONENT IDENTIFICATION

Description	Qty.	Part #	Description	Qty.	Part #	Description	Qty.	Part #
A HOSE CLAMP #48	1	08601	H WASHER; 6MM FLAT, SS	13	08269	O NUT; 6MM NYLOCK, HEXHEAD	2	07512
B HOSE; 3"ID TO 3-1/2"ID, 35DEG	1	084109	I SCREW; M6 X 20MM, BUTTON	2	KIT20BHC3060	P PLATE; AIRAID LOGO - CLEAR	1	KITLOGOP-1
C HOSE CLAMP; #24	1	08460	J BOLT; M4 - 0.7 8MM, A/H CAP	2	07733	Q SPACER; BADGE	1	07358
D HOSE CLAMP #56	3	08620	K HUMP HOSE; 3.5"ID X 2.5"L	1	KITHUMPHS34	R LID; 200-398, ALUM, TB/PC	1	07356
E TUBE; AIRAID	1	087452	L BOLT; M6 X 1.00 X 16MM, SS	9	07730	S ADAPTER; UNIVERSAL, 6"	1	21512-1
F GASKET; 3/16" PORON	1	09069	M WASHER, M6 SPLIT LOCK ZINC	7	1-3025	T CLAMP; #104, 9/16", SS	1	KITHS104
G ADAPTOR; MAF SENSOR	1	21515-1	N AIRBOX; AIRAID XLHDPE	1	087453	U CONE; 6" FLG, 7-1/2"B, 3-7/8"T	1	705-466

Full color instructions can be viewed on our web site at Airaid.com. If you need any assistance please call 1-800-498-6951 to speak with a representative in our Customer Service Center before returning the product.

TO START:

1. Turn off the ignition and disconnect the negative battery cable.

NOTE: Disconnecting the negative battery cable erases pre-programmed electronic memories. Write down all memory settings before disconnecting the negative battery cable. Some radios will require an anti-theft code to be entered after the battery is reconnected. The anti-theft code is typically supplied with your owner's manual. In the event your vehicles anti-theft code cannot be recovered, contact an authorized dealership to obtain your vehicles anti-theft code.



2. Disconnect the mass air sensor electrical connection.



3. Pry loose the band clamp that secures the intake plenum tube to the intake hose and remove the clamp.



4. Loosen the two hose clamps that secure the factory intake hose. Remove the factory intake hose from the vehicle.



5. Pull up the factory air filter housing to dislodge it from the mounting grommets and then remove the housing from the vehicle.

NOTE: AIRAID recommends that customers do not discard factory air intake.



6. Remove the three mounting grommets from the factory air filter housing and install them into the AIRAID® air filter housing as shown.

Continued...



7. Install the filter adapter into the AIRAID® air filter housing as shown.



8. Install the AIRAID® filter housing into the vehicle.



9. Install the provided coupler onto the throttle body and intake plenum. Secure with the provided hose clamps.



10. Install the provided hump coupler (KITHUMPHS34) onto the filter adapter and secure with the provided hose clamp.



11. Remove the mass air sensor from the factory housing. Install the mass air sensor into the adapter provided and secure with the provided hardware. Install the provided gasket onto the adapter and then install the assembly into the AIRAID® intake tube and secure with the provided hardware.

NOTE: Be sure to install the sensor assembly in the direction shown, the open end of the sensor is to be towards the air filter.



12. Install the AIRAID® intake tube assembly into the couplers, adjust the tube for best fit and secure with the provided hose clamps.



13. Install the air filter onto the filter adapter and secure with the provided hardware.



14. Install the AIRAID® window into the lid and secure with the provided hardware.



15. Install the filter housing gasket and lid onto the housing and secure with the provided hardware.



16. Reconnect the mass air sensor electrical connection.



17. Double check your work!

Make sure there is no foreign material in the intake path. Make sure all clamps, hoses, bolts, and screws are tight. Double check the hood clearance! **Reconnect the negative battery cable!**

Thank you for purchasing the Airaid Intake System. Contact Airaid @ (800) 498-6951 8:00 AM - 5:00 PM MST weekdays for questions regarding fit or instructions that are not clear to you. Your Airaid Intake System was carefully inspected and packaged. Check that no parts are missing, or were damaged during shipping. If any parts are missing, contact Airaid. The air filter element is protected from direct exposure to water and debris; care should be taken not to drive through deep water. **WATER INGESTION IS THE DRIVERS RESPONSIBILITY!** The air filter is reusable and should be cleaned periodically.

For your Oiled media filter we offer the Airaid Tune Up Kit!



P/N 790-551 Aerosol Spray
P/N 790-550 Squeeze Spray



NOT LEGAL FOR SALE OR USE ON ANY POLLUTION CONTROLLED MOTOR VEHICLE IN CALIFORNIA OR STATES ADOPTING CALIFORNIA EMISSION PROCEDURES.

See Airaid.com for CARB status on each part for a specific vehicle

SynthaMax

Synthamax Air Filters **do not** require oil. Service air filter as needed by cleaning with common non-petroleum all-purpose household cleaner and water. Simple Green®, Formula 409® or equivalent works great. Apply cleaner to outside of air filter and allow to soak. Then flush filter clean from the inside out with a garden hose and repeat steps if necessary. Do not apply high pressure water or air to clean filter. Allow filter to air dry and reinstall.