



Installation Instructions

For Part Numbers:

302-370 702-466 SynthaMax Dry Media Filter - Black

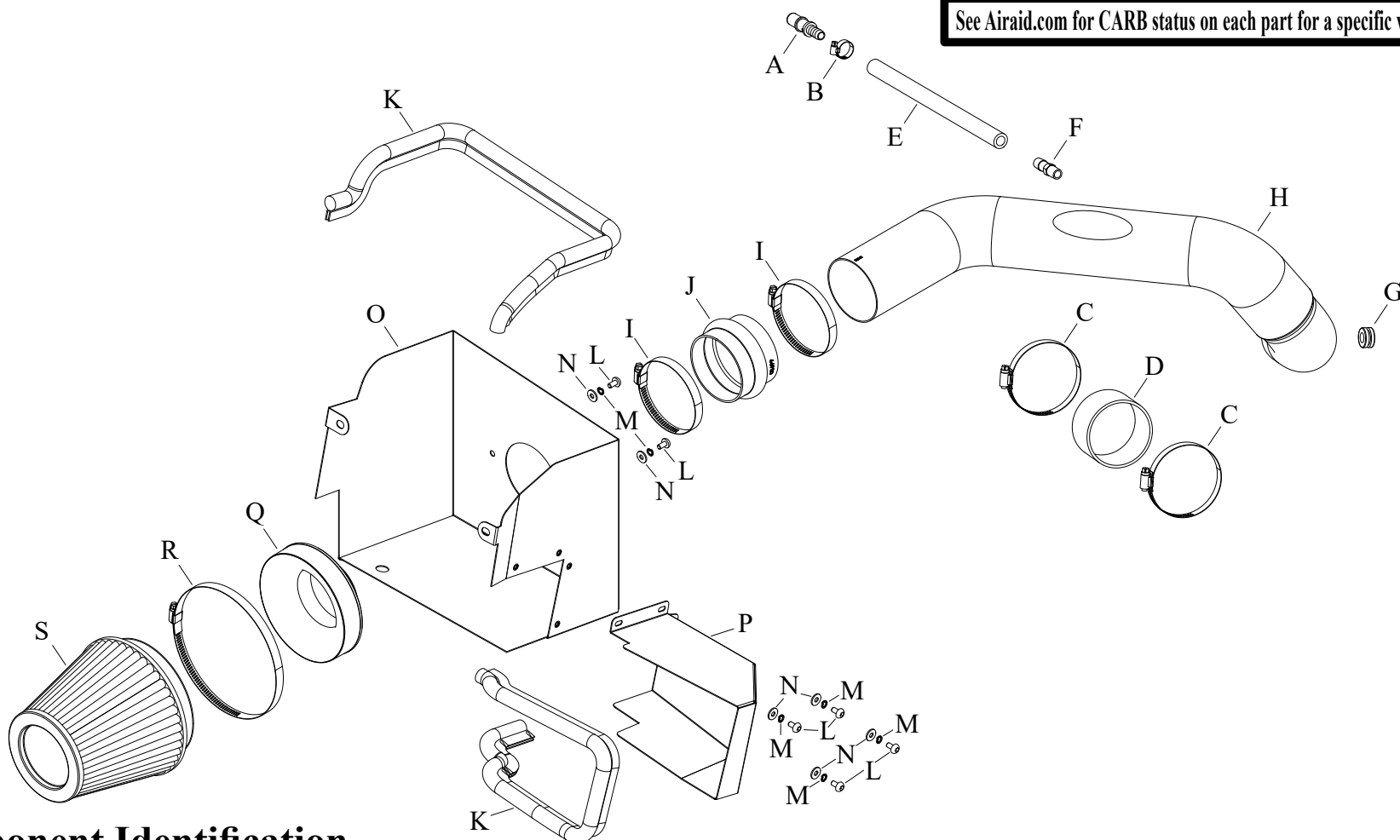
2013-18 RAM 1500

2019-22 RAM 1500 Classic

V6-3.6L

NOT LEGAL FOR SALE OR USE ON ANY POLLUTION CONTROLLED MOTOR VEHICLE IN CALIFORNIA OR STATES ADOPTING CALIFORNIA EMISSION PROCEDURES.

See Airaid.com for CARB status on each part for a specific vehicle



Component Identification

Description	Qty.	Part #	Description	Qty.	Part #	Description	Qty.	Part #
A VENT; 1/2" BARB TO 5/8"OD	1	82629	H TUBE; 3.25"OD TO 3.5"OD X 34"L	1	KIT27622TK	N WASHER; 6MM FLAT	6	08269
B HOSE CLAMP #6 MINI	1	08407	I HOSE CLAMP #56	2	08620	O HEAT SHIELD	1	073173
C HOSE CLAMP #52	2	08610	J HOSE; HUMP 3.5"ID X 2.5"L	1	08699	P HEAT SHIELD; SCOOP	1	073174
D HOSE; 3.25"ID X 2"L	1	08690	K EDGE TRIM; 55"L	1	102480	Q ADAPTER; UNIV. 6" FILTER	1	21512-1
E HOSE; 1/2"ID X 12"L	1	087031	L BOLT; M6-1 X 12MM BTNHD	6	07794	R HOSE CLAMP #104	1	KITHS104
F VENT; 1/2"HOSE, 1/4"NPT	1	080022	M WASHER, M6 SPLIT LOCK	6	1-3025	S AIR FILTER	1	702-466
G GROMMET; 1"OD, 1/2"ID	1	08064						

Full color instructions can be viewed on our web site at Airaid.com. If you need any assistance please call 1-800-498-6951 to speak with a representative in our Customer Service Center before returning the product.

TO START:

1. Turn off the ignition and disconnect the negative battery cable.

NOTE: Disconnecting the negative battery cable erases pre-programmed electronic memories. Write down all memory settings before disconnecting the negative battery cable. Some radios will require an anti-theft code to be entered after the battery is reconnected. The anti-theft code is typically supplied with your owner's manual. In the event your vehicles anti-theft code cannot be recovered, contact an authorized dealership to obtain your vehicles anti-theft code.



2. Disconnect the Inlet air temperature sensor electrical connection and loosen the hose clamp securing the intake plenum to the throttle body.



3. Disconnect the crank case vent from the intake plenum.



4. Loosen the hose clamp securing the intake hose to the factory air box.

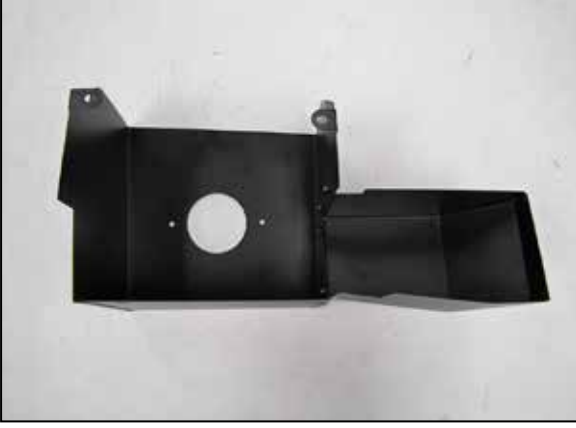


5. Lift up the intake plenum to dislodge it from the mounting grommets and then remove the plenum from the vehicle.



6. Lift the air box assembly off of the mounting studs and then remove the air box from the vehicle.
NOTE: AIRAID recommends that customers do not discard factory air intake.

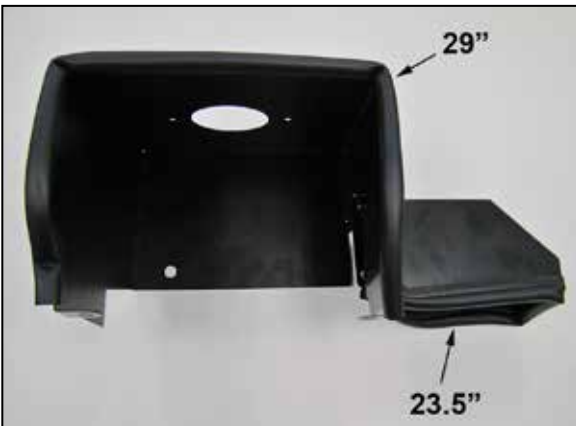
Continued...



7. Install the fresh air intake scoop onto the heat shield and secure with the provided hardware.



8. Cut the provided edge trim into two sections. One section will be 29" long; the other section will be 23.5" long.



9. Install the two sections of edge trim onto the heat shield and fresh air intake scoop as shown. The 29" section will be installed onto the heat shield and the 23.5" section will be installed onto the fresh air intake scoop.



10. Remove one of the rubber mounting grommets from the factory air box.



11. Install the factory rubber mounting grommet into the AIRAID heat shield as shown.



12. Install the air filter adapter into the heat shield and secure with the provided hardware.



13. Install the air filter onto the filter adapter and secure with the provided hose clamp.



14. Remove the two factory air box mounting bracket bolts shown.

NOTE: These bolts will be reused in the next step.



15. Set the heat shield into position on the factory air box mounting bracket and then secure with the factory bolts removed on step #14.



16. Install the provided coupling hose (08699) onto the filter adapter and secure with the provided hose clamp.



17. Install the provided coupling hose (08690) onto the throttle body and secure with the provided hose clamp.



18. Install the provided grommet into the intake tube.



19. Remove the inlet air temperature sensor from the factory intake plenum.



20. Install the inlet air temperature sensor into the grommet installed into the intake tube.
NOTE: Remove the factory sealing O-ring from the sensor before installation.



21. Install the provided vent fitting into the intake tube as shown.

Continued...



22. Install the intake tube assembly into the coupler hose at the filter adapter and then into the coupler hose at the throttle body. Adjust the tube for best fit and then secure with the provided hose clamps.



23. Reconnect the inlet air temperature sensor electrical connection.



24. Install the provided quick disconnect fitting into the provided crank case vent hose and secure with the provided hose clamp.



25. Install the crank case vent hose assembly onto the fitting installed into the intake tube and then connect the quick disconnect fitting into the factory connector as shown.



26. Double check your work!

Make sure there is no foreign material in the intake path. Make sure all clamps, hoses, bolts, and screws are tight. Double check the hood clearance!

Reconnect the negative battery cable!

Thank you for purchasing the Airaid Intake System. Contact Airaid @ (800) 498-6951 8:00 AM - 5:00 PM MST weekdays for questions regarding fit or instructions that are not clear to you. Your Airaid Intake System was carefully inspected and packaged. Check that no parts are missing, or were damaged during shipping. If any parts are missing, contact Airaid. The air filter element is protected from direct exposure to water and debris; care should be taken not to drive through deep water.

WATER INGESTION IS THE DRIVERS RESPONSIBILITY! The air filter is reusable and should be cleaned periodically.

FILTER IDENTIFICATION 702-466 Airaid SynthaMax Dry Media - Black

For your Oiled media filter we offer the
Airaid Tune Up Kit!



P/N 790-551 Aerosol Spray
P/N 790-550 Squeeze Spray



NOT LEGAL FOR SALE OR USE ON ANY POLLUTION CONTROLLED MOTOR VEHICLE IN CALIFORNIA OR STATES ADOPTING CALIFORNIA EMISSION PROCEDURES.

See Airaid.com for CARB status on each part for a specific vehicle

SynthaMax

Synthamax Air Filters **do not** require oil. Service air filter as needed by cleaning with common non-petroleum all-purpose household cleaner and water. Simple Green®, Formula 409® or equivalent works great. Apply cleaner to outside of air filter and allow to soak. Then flush filter clean from the inside out with a garden hose and repeat steps if necessary. Do not apply high pressure water or air to clean filter. Allow filter to air dry and reinstall.