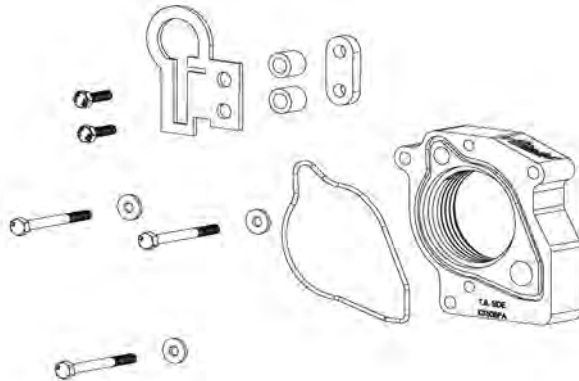




## # 310-508 INSTALLATION INSTRUCTIONS 2004 -06 Jeep Liberty 3.7L

Thank you for purchasing the Airaid Throttle Body Spacer. Please read the instruction manual carefully before proceeding with the installation. Your Airaid Throttle Body Spacer was carefully inspected and packaged. Check that no parts are missing, or were damaged during shipping. If you need any assistance please call 1-800-858-3333 to speak with a representative in our Customer Service Center before returning the product.

*Thank you for selecting AIRAID.*



**THROTTLE BODY SPACERS FOR VEHICLES LISTED ARE  
50 STATE LEGAL. SEE AIRAID.COM FOR CARB STATUS ON  
EACH PART FOR A SPECIFIC VEHICLE.**

### **Parts List**

AIR-KIT508PA	Aluminum Plate	(1)
AIR-KIT508H	Hardware	(1)
	"O" Ring #238	(1)
	Throttle Cable Bracket	(1)
	3/8"ID x 3/4"OD x .636 Spacers	(2)
	Nutplate with 3/8-16" threads	(1)
	3/8-16" x 1 1/2" Hex head bolts	(2)
	6mm x 50mm Hex Head Bolts	(3)
	6mm Flat Washers	(3)

### **Tools List**

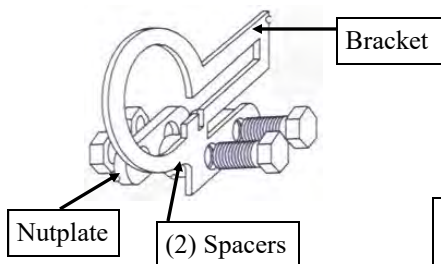
Flat Head Screwdriver  
 14mm Socket  
 10mm Socket  
 8mm Socket  
 Ratchet & Extension

## *Installation Instructions. Read Me!*

1. **DISCONNECT NEGATIVE (-) BATTERY CABLE.**
2. Remove throttle body air intake.
3. Remove (3) bolts from the throttle body.
4. Unclip throttle & cruise cables and remove from manifold and throttle lever.
5. Install furnished throttle & cruise cable bracket and tighten bolts. (Ref. "B")
6. Install both throttle & cruise cables thru reinforcement ring of throttle cable bracket. Slide and lock both plastic cable retainers into slot separately.
7. Install "O" ring into groove of spacer.
8. Install spacer using (3) 6mm x 50mm bolts and washers. (Ref. "A" & Step 4)
9. Reattach cruise & throttle cables to throttle body lever.
10. Inspect & Test throttle linkage for full Open & Closed travel before driving. Some cruise and kick down cables may require adjustment. Please refer to your vehicles service manual for proper adjustment.
11. Reinstall throttle body air intake assembly using **Step 2** as an example.
12. Reconnect negative battery cable. Enjoy!

***The sound of power...The "whistle" means its working!***

### ASSEMBLY DETAIL (Ref. "B")



**Ref. "B"**- (1) Throttle Cable Bracket  
(2) 3/8 ID x 3/4 OD x .636 Spacers  
(1) Nutplate with 3/8-16" threads  
(2) 3/8-16"x 1 1/2" Hex Head Bolts



**Ref. "A"**- (1) Spacer  
(1) O-ring #238  
(3) 6mm x 50mm Bolts  
(3) 6mm Flat Washers



AIR-I31508C Rev. 11.16.20