

Airaid

INSTALLATION INSTRUCTIONS

314-294 704-466 Airaid Oiled Media Filter

315-294 705-466 SynthaMax Dry Media Filter

2020-22 JEEP WRANGLER

2021-22 JEEP GLADIATOR

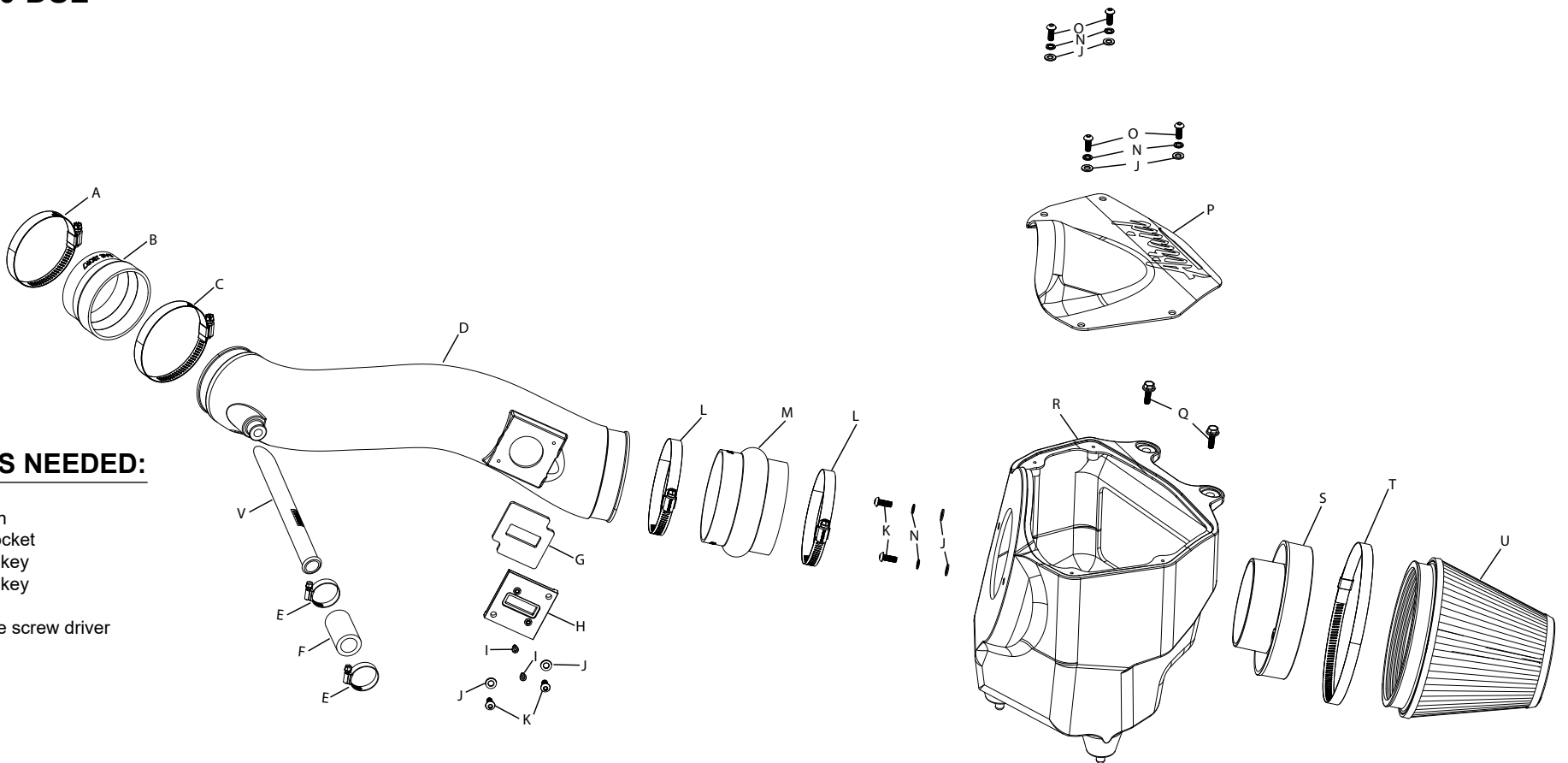
V6-3.0 DSL

NOT LEGAL FOR SALE OR USE ON ANY POLLUTION CONTROLLED MOTOR VEHICLE IN CALIFORNIA OR STATES ADOPTING CALIFORNIA EMISSION PROCEDURES.

See Airaid.com for CARB status on each part for a specific vehicle

TOOLS NEEDED:

Ratchet
Extension
10mm socket
M4 allen key
M3 allen key
T20 torx
Flat blade screw driver



COMPONENT IDENTIFICATION

| Description | Qty. | Part # | Description | Qty. | Part # | Description | Qty. | Part # |
|-------------------------------|------|-----------|-----------------------------|------|---------|--------------------------------|------|-------------|
| A HOSE CLAMP; #48 | 1 | 08601 | H ADAPTOR; MAF SENSOR | 1 | 21515-1 | O BOLT; M6 X 1 X 16MM BTNHD | 4 | 07730 |
| B HOSE; 3.25"ID TO 3"ID X 2"L | 1 | 08186 | I BOLT; M4-.7 X 8MM ALNHD | 2 | 07733 | P AIRBOX LID; CLEAR | 1 | 088093 |
| C HOSE CLAMP; #52 | 1 | 08610 | J WASHER; 6MM FLAT | 8 | 08269 | Q BOLT; M6-1 X 20, HEX/FLANGE | 2 | 1-2038 |
| D INTAKE TUBE; (OV) | 1 | 087499A | K BOLT; M6-1 X 12MM BTNHD | 4 | 07794 | R AIRBOX; (OV) | 1 | 087500 |
| E HOSE CLAMP; #12 MINI | 2 | 08420 | L HOSE CLAMP; #64 STAINLESS | 2 | 08645 | S ADAPTOR; #454 | 1 | 27300 |
| F HOSE; 3/4" - 0.1667 FT | 1 | KITHOSE50 | M HOSE; HUMP 4"ID X 3'L | 1 | 08418 | T CLAMP; #104 | 1 | KITHS104 |
| G GASKET; 3/16" PORON | 1 | 09069 | N WASHER; M6 SPLIT LOCK | 6 | 1-3025 | U AIR FILTER | 1 | 704/705-466 |
| | | | | | | V INSERT; CCV, .625"OD X 6.5"L | 1 | 088201 |

Full color instructions can be viewed on our web site at Airaid.com. If you need any assistance please call 1-800-498-6951 to speak with a representative in our Customer Service Center before returning the product.

TO START:

1. Turn off the ignition and disconnect the negative battery cable.

NOTE: Disconnecting the negative battery cable erases pre-programmed electronic memories. Write down all memory settings before disconnecting the negative battery cable. Some radios will require an anti-theft code to be entered after the battery is reconnected. The anti-theft code is typically supplied with your owner's manual. In the event your vehicles anti-theft code cannot be recovered, contact an authorized dealership to obtain your vehicles anti-theft code.



2. Remove the two bolts that secure the engine cover to the engine and then remove the cover from the vehicle.



3. Release the locking tab and then disconnect the mass air sensor electrical connection.

Continued...



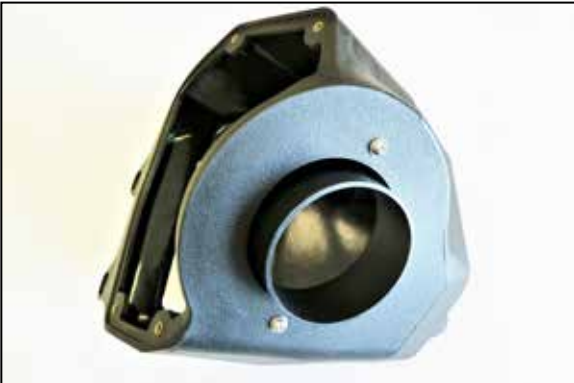
4. Release the one time use clamp that secures the CCV hose to the factory intake hose and then disconnect the CCV hose.



5. Loosen the hose clamp that secures the factory intake hose to the turbo inlet, then release the plastic clamp that secures the hose to the factory air filter housing. Remove the factory intake hose from the vehicle.



6. Remove the bolt that secures the factory air filter housing to the vehicle and then remove the housing from the vehicle.



7. Install the filter adapter into the vehicle and secure with the provided hardware.



8. Set the AIRAID air filter housing assembly into the vehicle and secure with the provided hardware.



9. Install the provided hump coupler onto the filter adapter and secure with provided hose clamp.



10. Install the provided straight coupler onto the turbo inlet and secure with the provided hose clamp.



11. Install the mass air sensor gasket onto the sensor adapter. Remove the mass air sensor from the factory housing and install it into the adapter and secure with the provided hardware.



12. Install the provided CCV vent tube into the K&N intake tube as shown. **NOTE: Be sure it is positioned as shown for proper function.**



13. Install the mass air sensor assembly into the AIRAID intake tube and secure with the provided hardware.



14. Install the AIRAID intake tube into the couplers and adjust for best fit and then secure with the provided hose clamps.



15. Connect the mass air sensor electrical connection.



16. Using the provided hose and clamps, connect the CCV hose to the AIRAID intake tube.



17. Install the AIRAID air filter onto the adapter and secure with the provided hose clamp.

Continued...



18. Install the Air filter housing lid and secure with the provided hardware.



19. Double check your work!

Make sure there is no foreign material in the intake path. Make sure all clamps, hoses, bolts, and screws are tight. Double check the hood clearance! **Reconnect the negative battery cable!**

Thank you for purchasing the Airaid Intake System. Contact Airaid @ (800) 498-6951 8:00 AM - 5:00 PM MST weekdays for questions regarding fit or instructions that are not clear to you. Your Airaid Intake System was carefully inspected and packaged. Check that no parts are missing, or were damaged during shipping. If any parts are missing, contact Airaid. The air filter element is protected from direct exposure to water and debris; care should be taken not to drive through deep water. **WATER INGESTION IS THE DRIVERS RESPONSIBILITY!** The air filter is reusable and should be cleaned periodically.

For your Oiled media filter we offer the Airaid Tune Up Kit!



P/N 790-551 Aerosol Spray
P/N 790-550 Squeeze Spray



NOT LEGAL FOR SALE OR USE ON ANY POLLUTION CONTROLLED MOTOR VEHICLE IN CALIFORNIA OR STATES ADOPTING CALIFORNIA EMISSION PROCEDURES.

See Airaid.com for CARB status on each part for a specific vehicle

SynthaMax

Synthamax Air Filters do not require oil. Service air filter as needed by cleaning with common non-petroleum all-purpose household cleaner and water. Simple Green®, Formula 409® or equivalent works great. Apply cleaner to outside of air filter and allow to soak. Then flush filter clean from the inside out with a garden hose and repeat steps if necessary. Do not apply high pressure water or air to clean filter. Allow filter to air dry and reinstall.