

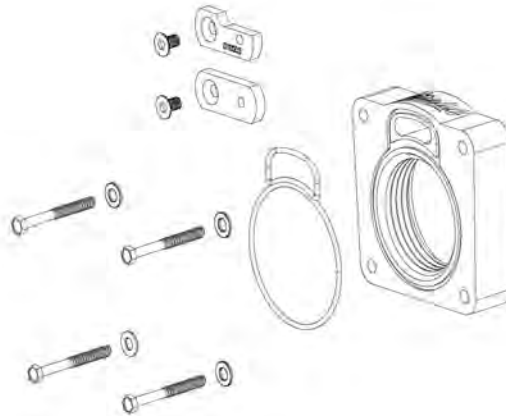


400-507 INSTALLATION INSTRUCTIONS 01-03 Ford Ranger/Explorer SportTrac 4.0L SOHC *

*** For vehicles built on or after 7-25-2000**

Thank you for purchasing the Airaid Throttle Body Spacer. Please read the instruction manual carefully before proceeding with the installation. Your Airaid Throttle Body Spacer was carefully inspected and packaged. Check that no parts are missing, or were damaged during shipping. If you need any assistance please call 1-800-858-3333 to speak with a representative in our Customer Service Center before returning the product.

Thank you for selecting AIRAID.



**THROTTLE BODY SPACERS FOR VEHICLES LISTED ARE
50 STATE LEGAL. SEE AIRAID.COM FOR CARB STATUS ON
EACH PART FOR A SPECIFIC VEHICLE.**

Parts List		
AIR-KIT507PA	Aluminum Plate	(1)
AIR-KIT507H	Hardware	
	Small O-ring	(1)
	Large O-ring	(1)
	M5.5x64mm Plastic Screws	(4)
	6mm Flat Washers	(4)
	Extension Plates	(2)
	6mmx12mm Screws	(2)

Tools List
1/4" Socket
7/16" Socket
Ratchet
Standard Screwdriver
5/32" Allen Wrench

Installation Instructions. Read Me!

1. DISCONNECT NEGATIVE (-) BATTERY CABLE.
2. Remove throttle body intake cover.
3. Remove air intake hose assembly.
4. Remove (4) bolts from the throttle body.
5. Remove throttle linkage bracket and save screws. (Ref. "B" & "C")
6. Install spacer with (2) "O"-rings in place using (4) plastic screws & (4) 6mm washers. (Ref. "A")
7. Install throttle linkage bracket using linkage plate extenders as shown (Ref. "B" & "C") using 6mm x 12mm flat head screws and saved screws in (Step #5).
8. Inspect & Test throttle linkage for full Open & Closed travel before driving. Some cruise or kickdown cables may require adjustment. Please refer to your vehicles service manual for proper adjusting.
9. Reinstall air intake hose assembly (Step #2).
10. Install throttle body intake cover. * **Please Note: Make a cutout for the cruise control cable.** (Ref. "D")
11. Reconnect negative battery cable. Enjoy!

The sound of power...The "whistle" means its working!

Ref. "C"- (1) Extension Plate
(1) 6mm x 12mm Flat Head Screw



Ref. "B"- (1) Extension Plate
(1) 6mm x 12mm Flat Head Screw



Ref. "A"- (1) Spacer
(2) "O"-rings
(4) m5.5x64mm Plastic Screws
(4) 6mm Flat Washers

Ref. "D"- Clearance cutout for Cruise Control



AIR-I40507D

Rev. 7/20/2021