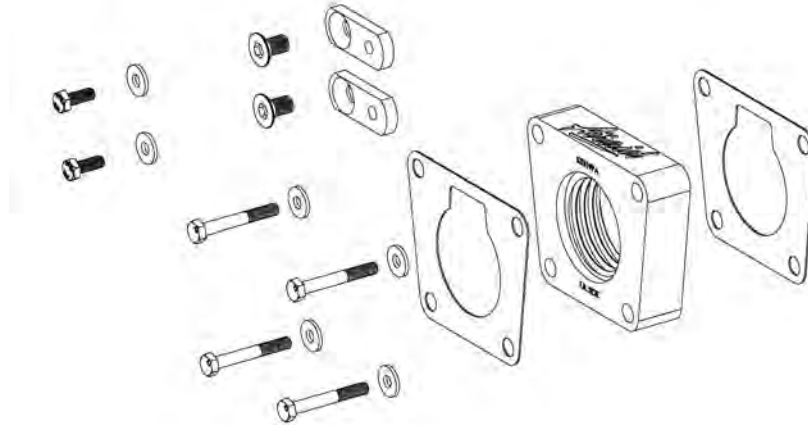




## # 400-519 INSTALLATION INSTRUCTIONS 94-98 Ford Mustang 3.8L V6

Thank you for purchasing the Airaid Throttle Body Spacer. Please read the instruction manual carefully before proceeding with the installation. Your Airaid Throttle Body Spacer was carefully inspected and packaged. Check that no parts are missing, or were damaged during shipping. If you need any assistance please call 1-800-858-3333 to speak with a representative in our Customer Service Center before returning the product.

*Thank you for selecting AIRAID.*



**THROTTLE BODY SPACERS FOR VEHICLES LISTED ARE 50 STATE LEGAL. SEE AIRAID.COM FOR CARB STATUS ON EACH PART FOR A SPECIFIC VEHICLE.**

### Parts List

AIR-KIT519PA	Aluminum Plate	(1)
AIR-KIT519G	Gaskets	(2)
AIR-KIT519H	Hardware	
	8mm x 50mm Bolts	(4)
	8mm Washers	(4)
	5/16-18" Linkage Plates	(2)
	8mm x 16mm Flat Head Screws	(2)
	5/16-18" x 5/8" Bolts	(2)
	5/16" Flat Washers	(2)

### Tools List

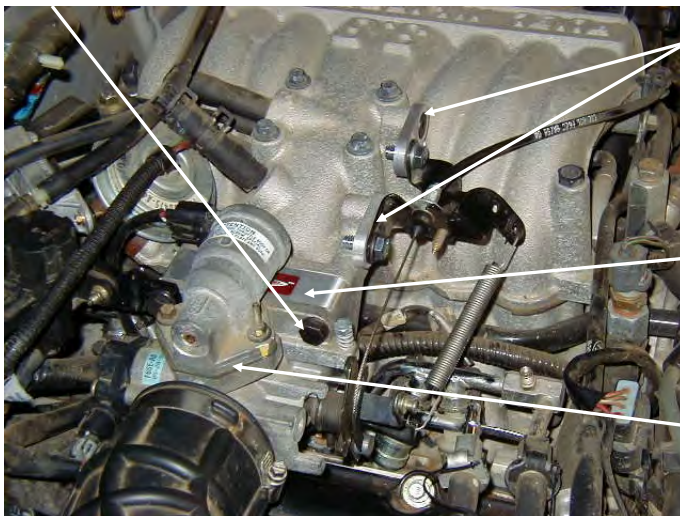
13mm Socket  
5mm Hex Key  
Standard Screwdriver

## ***Installation Instructions. Read Me!***

1. **DISCONNECT NEGATIVE (-) BATTERY CABLE.**
2. Remove air cleaner housing from the throttle body.
3. Remove (3) bolts and (1) stud from the front side of the throttle body. **(Ref. "D")**
4. Remove (2) bolts from the throttle linkage bracket.
5. Move throttle body away from intake manifold. Remove old gasket and clean surfaces.
6. Install power plate using (2) gaskets. **(Ref. "A" & "B")**
  - A. Place one gasket between the throttle body and spacer.
  - B. Place second gasket between the spacer and manifold.
7. Install (4) 8mm x 50mm bolts, (4) 8mm washers and tighten evenly. **(Ref. "D")**
8. Locate (2) linkage plates using (2) flat head screws. **(Ref. "C")**
9. Relocate throttle linkage bracket using (2) 5/16-18" bolts.
10. Inspect & Test throttle linkage for full Open & Closed travel before driving. Some cruise or kick down cables may require adjustment. Please refer to your vehicles service manual for proper adjustment.
11. Reinstall air cleaner housing **(Refer to Step 1)**
12. Reconnect battery cable. Enjoy!

***The sound of power...The "whistle" means its working!***

**Ref. "D"**- (4) 8mm x 50mm Bolts  
(4) 8mm Washers



**Ref. "C"**- (2) 5/16-18" Linkage Plates  
(2) 8mm Flat Head Screws  
(2) 5/16-18" x 5/8" Bolts  
(2) 5/16" Flat Washers

**Ref. "A"**- (1) Spacer  
(2) Gaskets

**Ref. "B"**- Throttle Body

AIR-I40519C  
Rev. 09.29.20