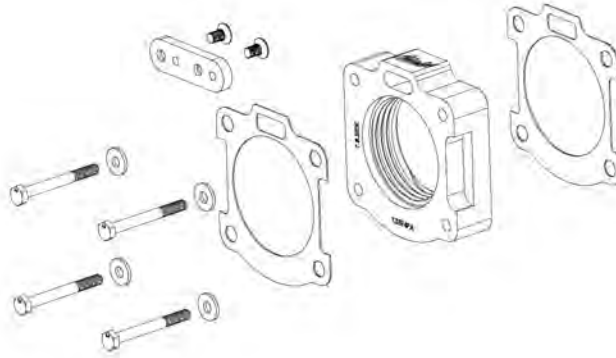




400-594 INSTALLATION INSTRUCTIONS 99-01 Ford Mustang 3.8L

Thank you for purchasing the Airaid Throttle Body Spacer. Please read the instruction manual carefully before proceeding with the installation. Your Airaid Throttle Body Spacer was carefully inspected and packaged. Check that no parts are missing, or were damaged during shipping. If you need any assistance please call 1-800-858-3333 to speak with a representative in our Customer Service Center before returning the product.

Thank you for selecting AIRAID.



THROTTLE BODY SPACERS FOR VEHICLES LISTED ARE 50 STATE LEGAL. SEE AIRAID.COM FOR CARB STATUS ON EACH PART FOR A SPECIFIC VEHICLE.

Parts List

AIR-KIT594PA	Aluminum Plate	(1)
AIR-KIT594G	Gasket	(2)
AIR-KIT594H	Hardware	
	6mm x 60mm Bolts	(4)
	6mm Lock Washers	(4)
	6mm x 12 Flat Head Screws	(2)
	Linkage Bracket	(1)

Tools List

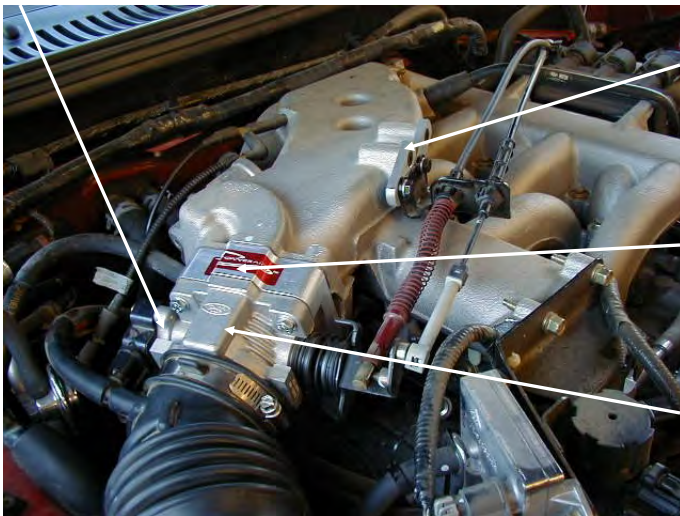
10mm Socket
Ratchet
4mm Allen Wrench
Standard Screwdriver

Installation Instructions. Read Me!

1. **DISCONNECT NEGATIVE (-) BATTERY CABLE.**
2. Remove air cleaner housing from the throttle body.
3. Remove (2) bolts and (2) studs from throttle body. (Ref. "D")
4. Remove (2) bolts from throttle linkage bracket.
5. Remove throttle body from intake manifold; remove gasket and clean surfaces.
6. Install power plate using (2) gaskets. (Ref. "A")
 - A. Place one gasket between the throttle body and spacer.
 - B. Place second gasket between the spacer and intake manifold.
7. Locate (1) linkage plate using (2) flat head screws (Ref. "C"); relocate the throttle linkage bracket using (2) 6mm bolts.
8. Inspect & Test the throttle linkage for full Open & Closed travel before driving. Some cruise or kickdown cables may require adjustment. Please refer to your vehicles service manual for proper adjusting.
9. Reinstall the air cleaner housing. **Refer to Step 2**
10. Reconnect battery cable. Enjoy!

The sound of power...The "whistle" means its working!

Ref. "D"- (4) 6mm x 60mm Bolts
(4) 6mm Lock Washers



Ref. "C"- (2) 6mm Flat Head Screws
(1) Linkage Bracket

Ref. "A"- (1) Spacer
(2) Gaskets

Ref. "B"- Throttle Body

AIR-I40594C
Rev. 10.27.20