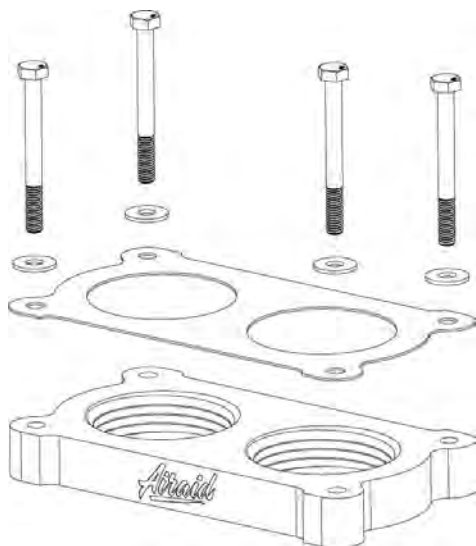




Installation Instructions
Part Number 450-610
AIRAID Spacer For
2005-09 Ford Mustang GT
4.6L V-8



Parts List

AIR-KIT610PA	Aluminum Plate	(1)
AIR-KIT610G	Gasket	(1)
AIR-KIT610H	Hardware	
	6mmx50mm Bolts	(4)
	6mm Flat Washers	(4)

Tools Required For Installation

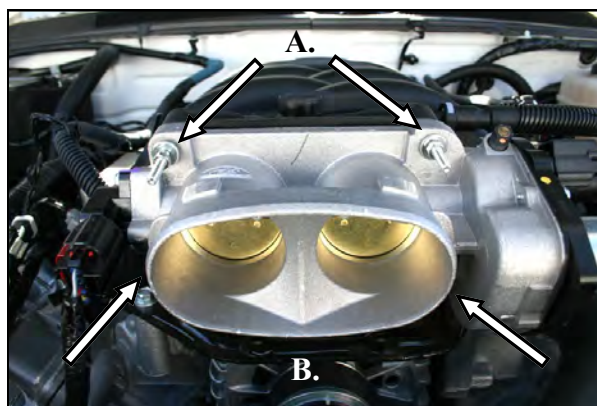
5/16" Deep , 10mm, Sockets
Ratchet and Extension
10mm Wrench

THROTTLE BODY SPACER FOR VEHICLES LISTED ARE 50 STATE LEGAL. SEE AIRAID.COM FOR CARB STATUS ON EACH PART FOR A SPECIFIC VEHICLE.

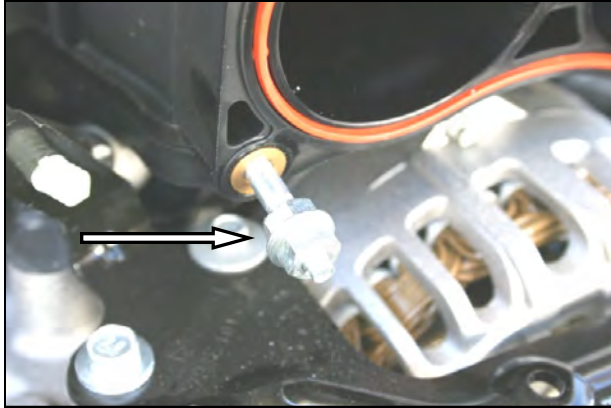
Thank you for purchasing the AIRAID Throttle Body Spacer. Please read the instruction manual carefully before proceeding with the installation. Your AIRAID Throttle Body Spacer was carefully inspected and packaged. Check that no parts are missing, or were damaged during shipping. If you need any assistance please call 1-800-858-3333 to speak with a representative in our Customer Service Center before returning the product.
Thank you for selecting AIRAID.



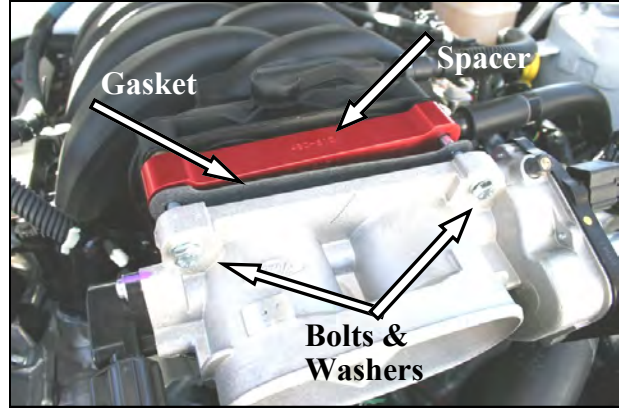
1. **Disconnect the negative battery cable!**
Using a 5/16" socket, loosen two hose clamps that hold the intake tube between the throttle body, and the air cleaner lid.
Turn the green tab, and disconnect the breather hose from the air intake tube. Remove the tube from the vehicle.



2. Remove beauty cover on top of intake manifold if equipped. (2008-09)
A). Using a 5/16" deep socket, remove two studs from the top of the throttle body.
B). Using a 10mm socket, remove two nuts from the studs on the bottom of the throttle body.
Flip the throttle body out of the way.

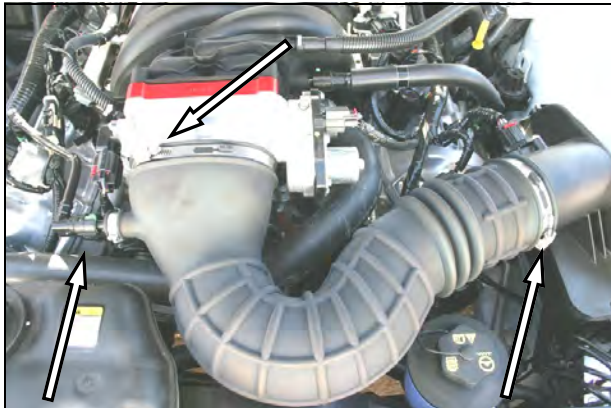


3. Using the two nuts removed in step #2, install them as shown, on one of the studs, snug them together, and then turn the nut closest to the manifold, and remove the stud. Repeat the procedure on the second stud.



4. Install two bolts (#2), and washers (#3) thru the throttle body, thru the gasket (#4), thru the AIRAID Spacer (#1), and into the intake manifold as shown. **Use caution to retain the factory o-ring gasket on the plastic intake manifold.**

Next install the remaining bolts in the bottom holes of the throttle body, and tighten evenly to the manufacturer's specifications. **Do Not Over Tighten The Bolts!**



5. Reinstall the intake tube, and tighten the hose clamps. Reconnect the breather hose to the intake tube.

6. Inspect & test the throttle linkage for full open and closed travel before driving. Some cruise and kickdown cables may require adjustment. Please refer to vehicles service manual for proper adjustment.

7. Re-connect the negative battery cable!

The sound of power...The "whistle" means its working!

Contact your nearest Airaid dealer for an Airaid Intake System for your car, truck or SUV.

AIR-I45610C
Rev. 8/10/20