



# Installation Instructions

For Part Numbers:

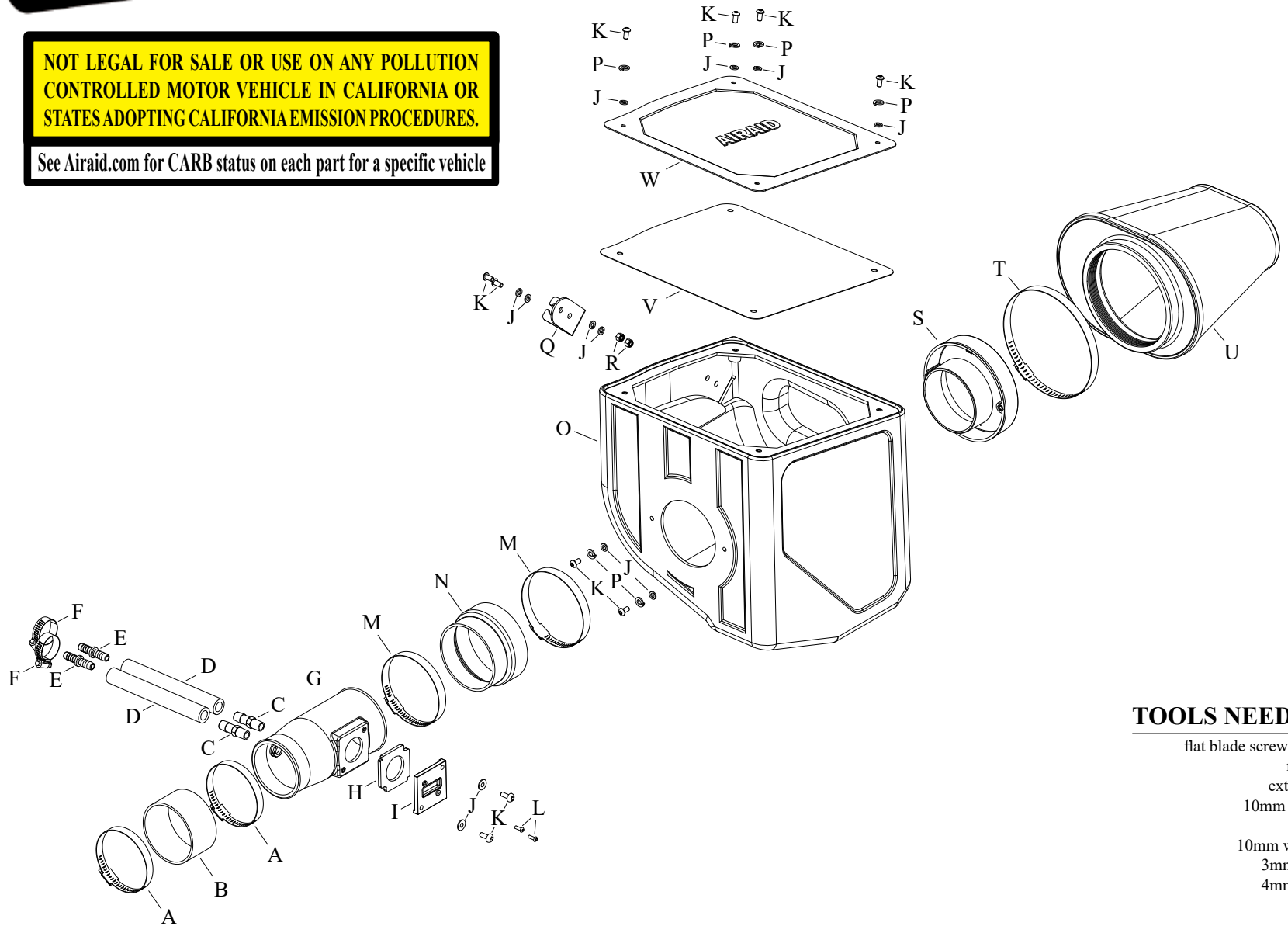
524-342 724-476 Airaid Oiled Media Filter

525-342 725-476 SynthaMax Dry Media Filter

2017-18 NISSAN Titan XD

V8-5.6L

**NOT LEGAL FOR SALE OR USE ON ANY POLLUTION CONTROLLED MOTOR VEHICLE IN CALIFORNIA OR STATES ADOPTING CALIFORNIA EMISSION PROCEDURES.**  
See Airaid.com for CARB status on each part for a specific vehicle



### TOOLS NEEDED:

- flat blade screw driver
- ratchet
- extension
- 10mm socket
- pliers
- 10mm wrench
- 3mm allen
- 4mm allen

## Component Identification

Description	Qty.	Part #	Description	Qty.	Part #	Description	Qty.	Part #
A HOSE CLAMP #56	2	08620	I ADAPTOR; MAF SENSOR	1	21515-1	Q BRACKET; 52%-342, TB/PC	1	KIT342B
B HOSE; 3.5"ID X 2"L	1	08698	J WASHER; 6MM FLAT	12	08269	R NUT; M6 X 1.00 HEX	2	07506
C FITTING; VENT STRT 5/8 BARB	2	82638	K BOLT; M6 X 1 X 16MM BTNHD	10	07730	S ADAPTOR; #454	1	27300
D HOSE; 5/8"ID X 7.5"L	2	084008	L BOLT; M4 X .7 X 8MM BTNHD	2	07741	T CLAMP; #104, 9/16" SS	1	KITHS104
E VENT; STRT, 5/8"HOSE	2	08048	M HOSE CLAMP #64 STAINLESS	2	08645	U AIR FILTER	1	724/725-476
F HOSE CLAMP; #10 MINI	2	08411	N HOSE; 3-13/16"ID TO 3.75"ID	1	08683	V GASKET	1	KIT342G
G INTAKE TUBE	1	KIT342A	O AIRBOX	1	KIT342CAB	W LID	1	KIT342LID
H GASKET; 3/16" PORON	1	09069	P WASHER, M6 SPLIT LOCK ZINC	6	1-3025			

Full color instructions can be viewed on our web site at Airaid.com. If you need any assistance please call 1-800-498-6951 to speak with a representative in our Customer Service Center before returning the product.

### TO START:

1. Turn off the ignition and disconnect the negative battery cable.

**NOTE: Disconnecting the negative battery cable erases pre-programmed electronic memories. Write down all memory settings before disconnecting the negative battery cable. Some radios will require an anti-theft code to be entered after the battery is reconnected. The anti-theft code is typically supplied with your owner's manual. In the event your vehicles anti-theft code cannot be recovered, contact an authorized dealership to obtain your vehicles anti-theft code.**



2. Disconnect the mass air sensor electrical connection and then unclip the harness from the air filter housing.



3. Lift up the engine cover and remove it from the vehicle.



4. Unclip and remove the air filter housing lid.



5. Remove the bolt that secures the lower air filter housing and then remove the housing from the vehicle. **NOTE: AIRAID recommends that customers do not discard factory air intake.**



6. Disconnect the crank case vent lines and then loosen the clamp that secures the canister to the intake tube and remove the canister.

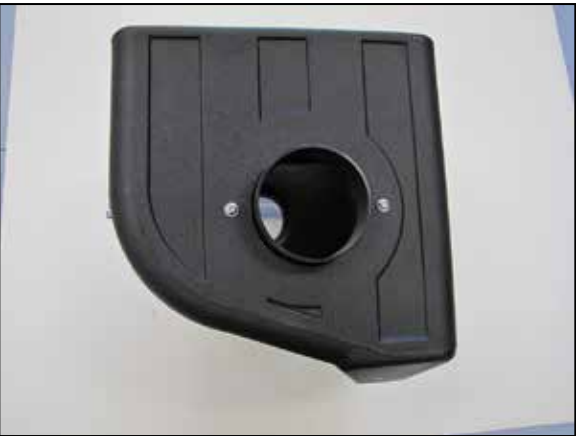
## Continued...



7. Loosen the hose clamp and then remove the factory intake tube from the vehicle.



8. Install the mounting bracket into the AIRAID® air filter housing using the provided hardware.



9. Install the filter adapter into the AIRAID® air filter housing using the provided hardware.



10. Remove the three mounting grommets from the factory air filter housing and install them into the AIRAID® housing as shown.



11. Remove the mass air sensor from the factory air filter housing and install it into the AIRAID® mass adapter and secure with the provided hardware. Apply the provided gasket onto the bottom of the adapter.



12. Install the mass air sensor assembly into the AIRAID® intake tube and secure with the provided hardware.



13. Install the two vent fittings into the AIRAID® intake tube as shown.

**NOTE: Plastic NPT fittings are easy to cross thread. Install the vent fitting “hand” tight, then turn it two complete turns with a wrench.**



14. Install the provided coupler onto the throttle body and secure with the provided hose clamp.



15. Install the AIRAID® air filter housing into the vehicle and then install the air filter onto the filter adapter and secure with the provided hose clamp.



16. Install the provided hump coupler onto the AIRAID® intake tube and then install the intake tube into the vehicle, adjust the tube for best fit and then secure with the provided hose clamps.



17. Cut the provided vent hose into two sections of 6”.



18. Install the hose menders into each vent hose and then connect the hoses to the factory vent hoses and to the fittings installed into the AIRAID® intake tube.



19. Install the air filter housing gasket and lid and secure with the provided hardware.



20. Reconnect the mass air sensor electrical connection.



21. Reinstall the engine cover.

Continued...



**22. Double check your work!**

Make sure there is no foreign material in the intake path. Make sure all clamps, hoses, bolts, and screws are tight. Double check the hood clearance!

**Reconnect the negative battery cable!**

Thank you for purchasing the Airaid Intake System. Contact Airaid @ (800) 498-6951 8:00 AM - 5:00 PM MST weekdays for questions regarding fit or instructions that are not clear to you. Your Airaid Intake System was carefully inspected and packaged. Check that no parts are missing, or were damaged during shipping. If any parts are missing, contact Airaid. The air filter element is protected from direct exposure to water and debris; care should be taken not to drive through deep water.

**WATER INGESTION IS THE DRIVERS RESPONSIBILITY!** The air filter is reusable and should be cleaned periodically.

For your Oiled media filter we offer the Airaid Tune Up Kit!



P/N 790-551 Aerosol Spray  
P/N 790-550 Squeeze Spray



**NOT LEGAL FOR SALE OR USE ON ANY POLLUTION CONTROLLED MOTOR VEHICLE IN CALIFORNIA OR STATES ADOPTING CALIFORNIA EMISSION PROCEDURES.**

See Airaid.com for CARB status on each part for a specific vehicle



Synthamax Air Filters **do not** require oil. Service air filter as needed by cleaning with common non-petroleum all-purpose household cleaner and water. Simple Green®, Formula 409® or equivalent works great. Apply cleaner to outside of air filter and allow to soak. Then flush filter clean from the inside out with a garden hose and repeat steps if necessary. Do not apply high pressure water or air to clean filter. Allow filter to air dry and reinstall.